



Watching Video

Concrete Pumps / Boom Pumps

# ECP24ZX

## Boom Type

4 section ZR-folding

## Vertical Reach

24m

## Horizontal Reach

19.8m

## Depth Reach

13.7m

## Delivery Pipe Diameter

125mm

## Slewing Range

370°

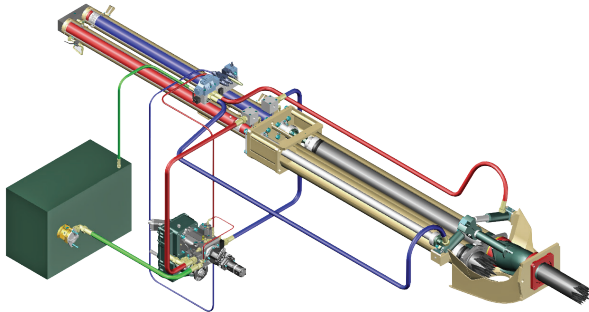
## Outrigger

Diagonal extension (Front)  
Fixed jack cylinder (Rear)



## FFH SYSTEM (Free Flow Hydraulic)

This type of FFH Hydraulic Pressurized Systems combined with **Rexroth**<sup>®</sup> pumps and **Hawe**<sup>®</sup> boom control block is widely recognized to all over the world due to efficiency and stability. Currently Everdigm Pumps are applying these systems for longtime and widely known and also proven the products to everyone. Based on these facts FFH systems are used all over the world and mostly welcomed. Efficient pumps, less boom bouncing and less noise for while it operates. As above all, these reasons they are providing comfortable working area.



## FEATURES

### PUMPING UNIT

Closed-loop Free Flow Hydraulic System  
 Inductive Proximity Switch and Indicator  
 Single Lip Concrete Piston  
 Hard-Chromed Concrete Cylinder

### BOOM & STRUCTURE

4 Stage ZR-Folding Boom  
 Diagonal Extension Front Outrigger (One Stage)  
 Jack Cylinder Rear Outrigger (Fixed)  
 Outrigger Pilot Check Valves  
 Rack Gear Cylinder Type Boom Slewing  
 High Pressure End Hose (3m)  
 Boom & Deck Pipe Diameter 125mm  
 Greasing Port on Boom Link and Pedestal  
 Bubble Gauge on Both Side  
 Hinged Type Side Plates on Platform  
 Water Pump, Water Tank, Cleaning Hose and Spray Nozzle  
 Working Light on Pedestal and Platform

### HOPPER

Easy Clean Type Hopper  
 Hi-Manganese Agitating Paddle  
 600 Liter Volume Hopper  
 Hopper Outlet Diameter 180mm  
 S2018 Type S-tube (Dia.200-180mm)  
 Flap Elbow (Dia.180-150mm) with Cleaning Port  
 Reducing Pipe (150-125mm)  
 Tungsten Carbide Wear Ring and Plate  
 Hydraulic Agitator Motors on Both Side Hopper  
 Auto Lubrication  
 Working Light on Hopper

Direct connecting main pump and hydraulic cylinders  
 improve pumping efficiency  
 Less peak pressure & less boom bouncing by peak  
 pressure control  
 No need of big oil tank  
 Cut down maintenance cost  
 Applying suction filter  
 Prevent contamination in main pump  
 Centralized pumping controller  
 Easy access and maintenance

### CONTROL KIT

Wire Remote Control (40m Cord)  
 Wireless Remote Control (Proportional)  
 Remote ON/OFF Pumping  
 Remote ON/FF Engine  
 Infinite Variable RPM Control  
 Boom Control Block  
 Outrigger Control Block on Both Side  
 Emergency Stop Switch  
 Electric Main Control Panel and Local Controller  
 Pneumatic Solenoid Valve Type PTO Control  
 Stroke Changeover Switch

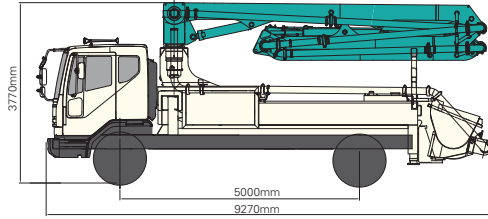
### OPTIONAL

Boom	Twin Wall Pipe
	Auto Lubrication
	Working Light
Outrigger	Outrigger Pads and Compartment
	Cover
Hopper	Safety Device
	Central Manual Lubrication
	Vibrator
Platform	Aluminum Platform
	Handrail on Rear Step
	Spare Tire Storage Bracket
Paint	Customized Color

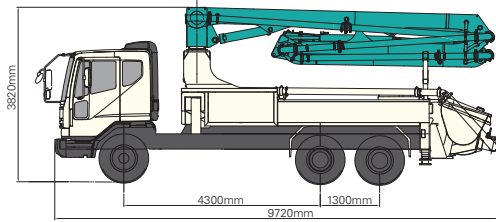
Note) For more optional item not mentioned above please consult the manufacture.

# SPECIFICATIONS

## DIMENSIONS



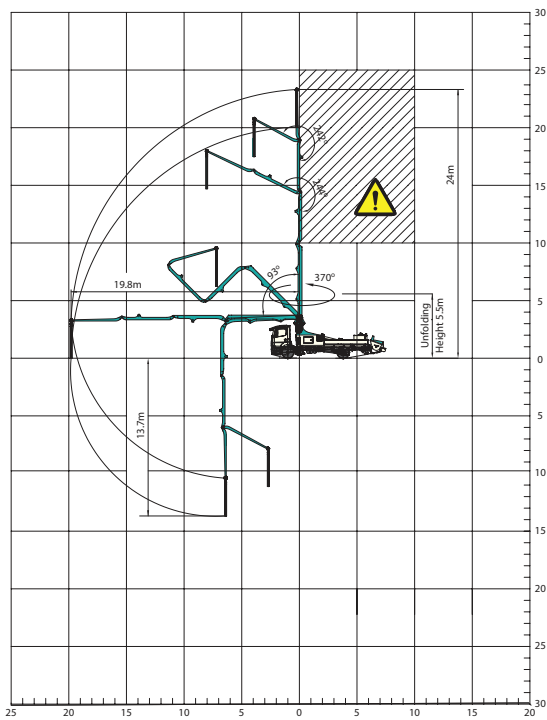
Front Axle Loading Weight	6,100kg
Rear Axle Loading Weight	10,400kg



Front Axle Loading Weight	5,200kg
Rear Axles Loading Weight	13,300kg

\* Weight and dimension figures here are subject to change on various chassis option and additional axle application etc.

## WORKING RANGE



Don't use in caution area

UNIT : m

## PUMP

Pump Cell	1409
Control System	Closed Free Flow Hydraulic
Main Pump	A4VG125
Concrete Cylinder (mm)	Dia.200 Stroke 1,400
Drive Cylinder (mm)	Dia.110 Stroke 1,400
Theoretical Concrete Output (m <sup>3</sup> /h)	90
Theoretical Concrete Pressure (bar)	70
Stroke No. (per minute)	35
Transfer Tube Type	S-Tube, S2018 (Dia. 200-180mm)
Hopper Volume (liter)	600

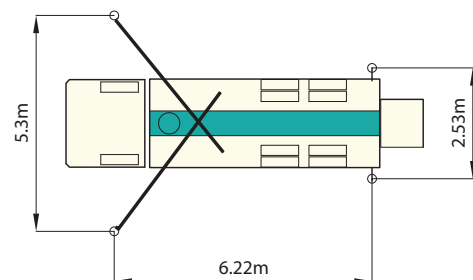
## BOOM

Folding Type	4 Stage ZR-folding
Slewing Angle	370deg.
Max. Vertical Reach	24m
Max. Horizontal Reach	19.8m
Max. Depth Reach	13.7m (incl. End Hose 3m)
Unfolding Height	5.5m
End Hose Length	3m
Delivery Pipe Dia.	125mm

## OUTRIGGER

Front Outrigger	One Stage Diagonal Extension Full Spread Width 5.3m
Rear Outrigger Type	Fixed Jack Cylinder Full Spread Width 2.53m

## OUTRIGGER SPREAD



Note) Technical amendments are reserved. The specifications are subject to change with or without prior notice.

# EVERDIGM

EVERDIGM is large sized company with \$250M turnover providing customers across the world with its quality products. EVERDIGM has been working and growing based on the platform of advanced quality, professionalism and real satisfaction. Standing behind the customers taking responsibility at all stage its product life cycle is EVERDIGM's commitment.



## Build the Future

The spirit, "build the future", enables EVERDIGM to make a remarkable growth over 80 countries now. EVERDIGM offers the best value concrete pump which is key to build the brighter future for dealers and customers.

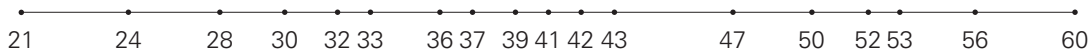
## Concrete Pump

- Free Flow Hydraulic System
- Boom Pump Ranging from 21M to 60M
- Placing Boom of Various Design
- High Pressure Trailer and Line Pump



### Truck Mounted Boom Pump Line-up (Max. Vertical Reach)

Unit : m



### Trailer Pump Line-up (Max. Concrete Pressure)

Unit : bar



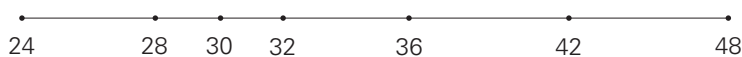
### Line Pump Line-up (Max. Concrete Pressure)

Unit : bar



### Placing Boom Line-up (Max. Horizontal Reach)

Unit : m



Distributed by

**Head Office & Factory**  
332-3, Janggwan-Ri, Jincheon-Eub, Chungcheongbuk-Do, Korea  
Tel\_+82-43-530-3300 Fax\_+82-43-530-3429

**Sales & Marketing Office**  
Room #1203, Woolim Lion's Valley 2, 680, Gasan-Dong, Geumcheon-Gu, Seoul, Korea  
Tel\_+82-2-801-0800 Fax\_+82-2-801-0899

@EVERDIGM Corp. Printed in Korea

