



	STANDARD equipments	OPTIONAL equipments
Boom & structure	Diagonal extension front outrigger - 30ZX, 30CX, 32RX, 33CX, 36RX, 36ZX, 37ZX	Twin wall or harden pipes, elbows
	Swing-out front outrigger : 32RS	Night light kit at boom & pedestal
	Swing-out rear outrigger : 32RX, 33CX, 36RX, 36ZX, 37ZX	Outrigger pads with compartment
	Telescopic rear outrigger : 30ZX, 30CX, 32RS	Side-mounted tool box
	Outrigger pilot check valves	Handrail on rear step
	Rack gear cylinder at boom slewing	Aluminum platform, step, fender
	High pressure end hose (both end coupling type)	Hinged side plate - 30ZX, 30CX, 32RS
	Boom & Deck pipe dia. 4"(100mm) - 30CX	End rubber hose locking device
	Boom & Deck pipe dia. 5"(125mm) - 30ZX, 32RS, 32RX, 33CX, 36RX, 36ZX, 37ZX	Auto lubrication system for boom & pedestal
	Greasing port on boom link and pedestal	Storage box (RH/LH) on platform
	Bubble gauge on each side of unit	Water tank heater
	Cleaning port and sponge ball	FRP water tank
	Water pump, cleaning hose, water tank	
	Closed - loop system	
Pumping unit	Inductive proximity switch with indicator	
	Single lip concrete piston	
	Hard-chromed concrete cylinders	
Hopper	E-Z clean hopper with Hi maganege paddle	Vibrator for hopper grid
	Splash guard	Agitator safety device
	Auto lubrication system for hopper	Plunger cover
	400 liter volume hopper - 30CX	Hopper cover
	600 liter volume hopper - 30ZX, 32RS, 32RX, 33CX, 36RX, 36ZX, 37ZX	S-tube 9"(230mm) to 7"(180mm)
	S-tube 8"(200mm) to 5"(125mm) - 30CX	
	S-tube 8"(200mm) to 7"(180mm) - 30ZX, 32RS, 32RX, 33CX, 36RX, 36ZX, 37ZX	
Tungsten carbide for wear ring and plate		
Night light kit for hopper		
Control kit	Cable remote control (40m cable)	New electric control box with Micom card & monitor
	Radio remote control, proportional	Rear view camera
	Remote on/off pumping	
	Remote engine on/off	
	Infinite variable RPM control	
	Boom - manual control block and remote control	
	Outrigger - manual control block on each side of unit	
	E-stop and Horn switch	
	Electric control box - relay, mechanical	
	Pneumatic solenoid valve for PTO control	
Paint	EVERDIGM two color finish (Green and Ivory)	Customized two-color paint
		Customized three-color paint
Miscellaneous	Operation, Maintenance & Parts manual	
	Accessories (initial spare parts with basic tool kit)	

ISO14001

Specification

Concrete pump			
Delivery cylinder	Inner diameter	200mm (1609) 230mm	
	Stroke	1600mm (1609, 1611) 2100mm	
Drive cylinder	Inner diameter	110mm (1609) 120mm (2113) 130mm (2114) 140mm (2116, 1611)	
		Rod diameter	63mm (1609) 80mm
			Hyd. pressure
		Transfer tube	S-valve type
Max. theoretical concrete output & pressure (rod side)		90m³/h, 70bar(1609) 110m³/h, 85bar(1611) 130m³/h, 54bar(2113) 140m³/h, 70bar(2114) 160m³/h, 85bar(2116)	
Hopper			
Volume of hopper		0.6 m3 (600ℓ)	
Permissible slump		8 - 25 cm	
Max. aggregate size		Max. 40 mm	
Agitator	Paddle type		
	Driven by powerful double hydraulic motors		
Agitator	Max. flow	45 lpm	
	Rotated pressure	250 bar	
Control block	Max.back pressure	25 bar	
	Volume	2 liter	
Auto - grease supplier	Elec. voltage	DC24V (STD) DC12V (OPT)	
	Displacement	470.6cc/rev	
Agitator motor	Max.rpm	130 rpm	
	Outrigger		
Front outrigger type	Diagonal extension (Swing-out support - 32RS)		
Rear outrigger type	Swing-out support (Telescopic support - 30ZX, 30CX, 32RS)		
Accumulator			
Type	Bladder type		
Nominal volume	4ℓ		
Effective gas volume	3.5ℓ		
Gas pre-charge pressure	10bar		
Main hyd. pump			
Displacement	125cc/rev (2113, 1609)		
Max. rpm	2850 rpm		
Power (at ΔP=350bar)	208 Kw		
Torque (at ΔP=350bar)	696 Nm		

Displacement	180cc/rev (2114, 1611)
Max.rpm	2500 rpm
Power (at ΔP=350bar)	262 Kw
Torque (at ΔP=350bar)	1002 Nm
Displacement	125cc/rev x 2 (2116)
Max.rpm	2850 rpm
Power (at ΔP=350bar)	416 Kw
Torque (at ΔP=350bar)	1392 Nm

Accumulator pump	
Displacement	28cc/rev.
Max.rpm	3000rpm
Flow	84ℓ/min

Boom pump	
Displacement	23cc/rev.
Max.rpm	2500rpm
Flow	55ℓ/min

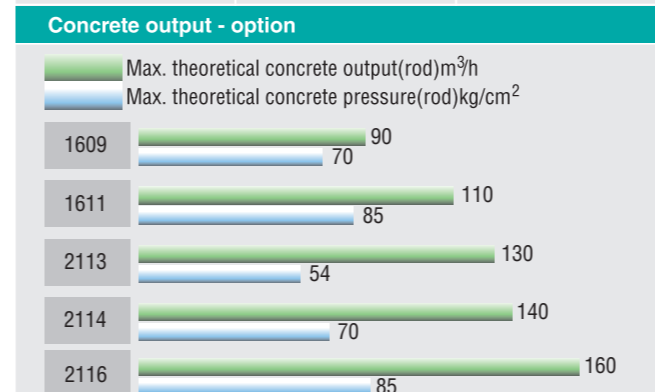
Gear box	
Gear ratio	1 : 1.49

MBC block	
Hydraulic modular boom control block	
Optimum boom speed control for all kinds of boom movements	
Easy boom operation by fully proportional control block	

Oil cooler		
Large fan driven by elec.or hyd. motor.		
Oil temperature indicated by elec.sensor to start the cooler : 47℃		

Electric.motor	Elec. voltage	DC24V(STD) DC12V(OPT)
	Rotation	Reversible
Hyd. motor	Displacement	8.3cc/rev
	Max.pressure	250 bar

Suction filter	
Type	Hyd. oil tank directly installed type
Flow rate	120 ℓ/min
Filtering area	8200cm²



※Specifications can be changed without prior notice

Distributed by

©EVERDIGM Corp. Printed in Korea
 Head Office & Factory : 332-3, Janggwan-ri, Jincheon-eub, Chungcheongbuk-do, Korea
 Tel_+82-43-530-3300 Fax_+82-43-530-3429
 Sales & Marketing Room : #1203, Woolim Lion's Valley II, 680, Gasan-Dong, Geumcheon-Gu, Seoul, Korea Tel_+82-2-801-0800 Fax_+82-2-801-0899

Build the Future

www.everdigm.com



EVERDIGM [évərdáim]
 CONCRETE BOOM PUMP

30Ms Range



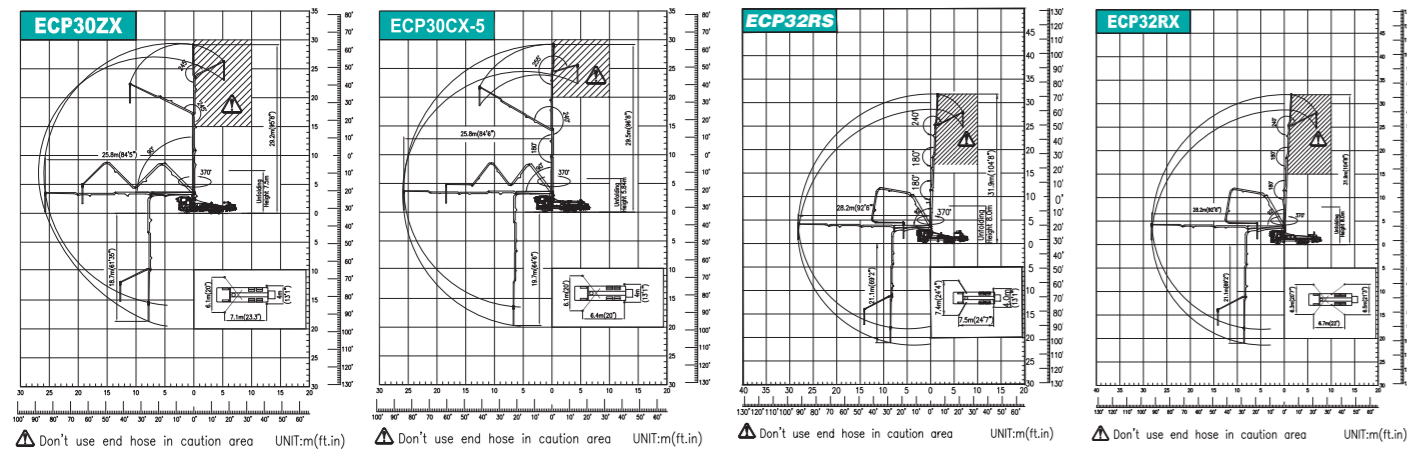
Vol. 04 CPE1204-05 12. Apr. 2012

Standard features



		Boom pump			
Item	Model	ECP30ZX	ECP30CX-5	ECP32RS	ECP32RX
Boom type		4-section and Z type	5-section and Z-R type	4-section and R type	4-section and R type
Vertical reach(m)		29.2	29.5	31.9	31.9
Horizontal reach(m)		25.8	25.8	28.2	28.2
Unfolding height(m)		7.5	5.84	8	8
Depth reach(m)		18.7	19.7	21.1	21.1
End hose length(m)		3	2.5	3	3
Delivery pipe dia.(mm)		125	100	125	125
Boom slewing range(°)		370	370	370	370
Boom section length (mm)	1st	7,450	6,250	7743	7743
	2nd	6,150	4,750	6943	6943
	3rd	6,450	5,100	6943	6943
	4th	5,700	5,100	6471	6471
	5th		4,500		
Pump cell option	1609	✓			
	1611	✓	✓		
	2113			✓	✓
	2114			✓	✓
	2116			✓	✓

Working diagram

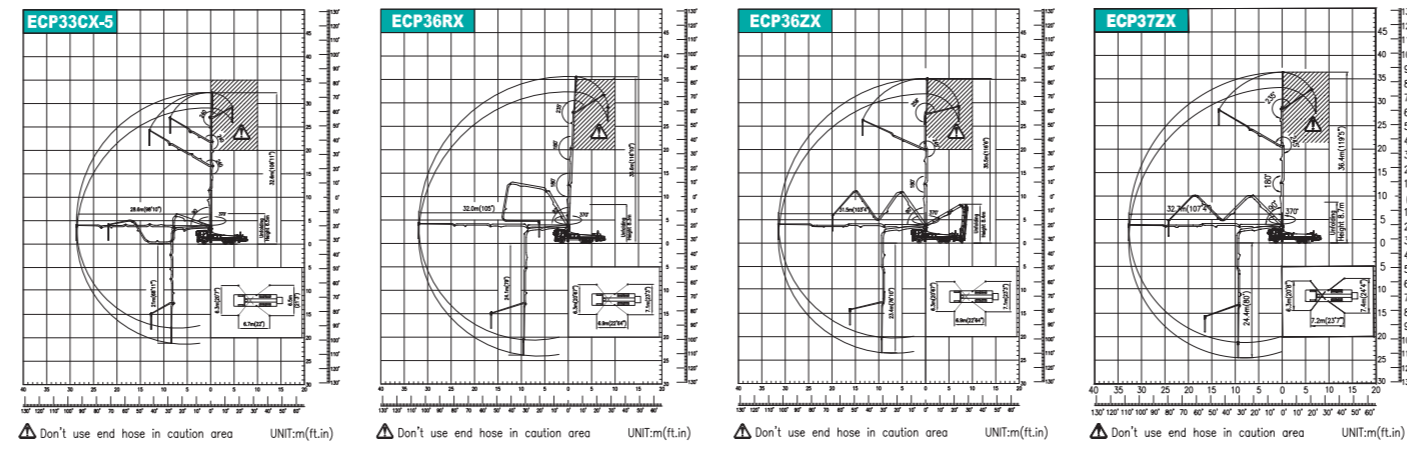


Standard features

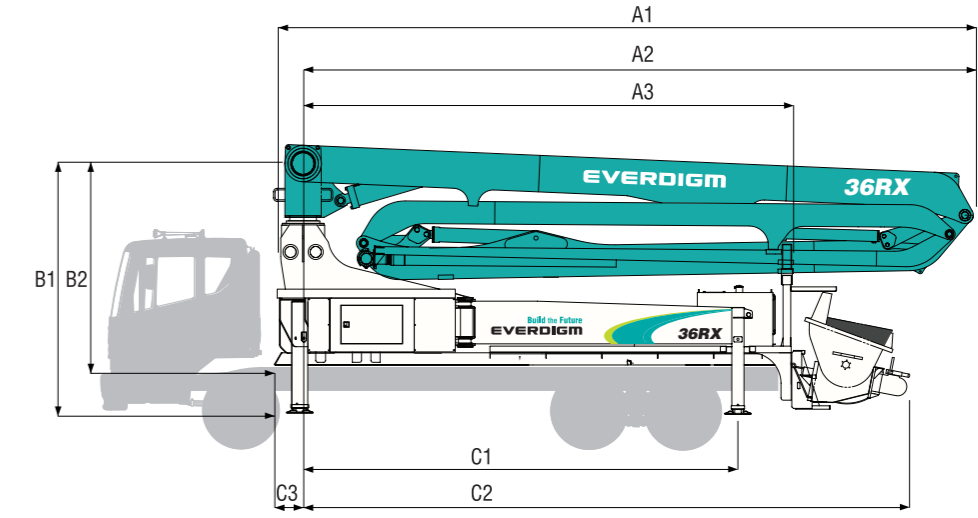


		Boom pump			
Item	Model	ECP33CX-5	ECP36RX	ECP36ZX	ECP37ZX
Boom type		5-section and Z-R type	4-section and R type	4-section and Z type	4-section and Z type
Vertical reach(m)		32.6	35.6	35.5	36.4
Horizontal reach(m)		28.6	32.0	31.5	32.7
Unfolding height(m)		6.5	8.3	8.4	8.7
Depth reach(m)		21	24.1	23.4	24.4
End hose length(m)		3	3	3	3
Delivery pipe dia.(mm)		125	125	125	125
Boom slewing range(°)		370	370	370	370
Boom section length (mm)	1st	7740	8700	8850	9200
	2nd	5250	7890	7550	7800
	3rd	5150	7680	7750	7900
	4th	5200	7700	7300	7800
	5th	5250			
Pump cell option	2113	✓	✓	✓	✓
	2114	✓	✓	✓	✓
	2116	✓	✓	✓	✓

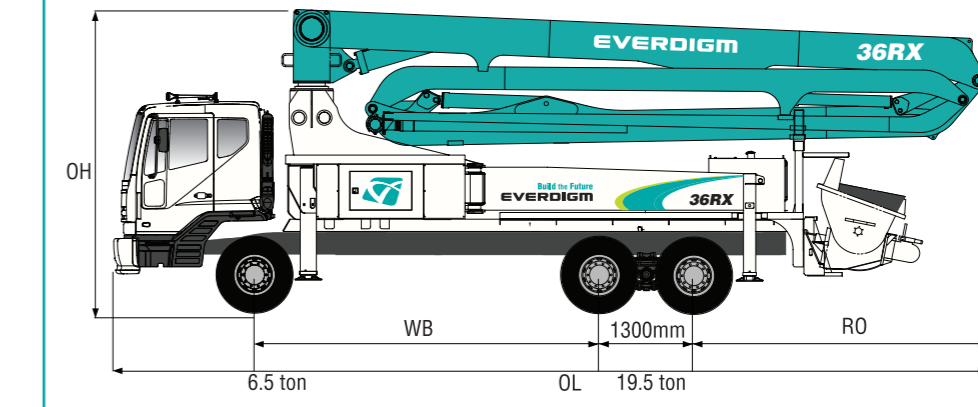
Working diagram



Mounting Guide



Reference of complete unit



Axle Type

6 X 4

Governor type

RFD governor(Euro-1,2)
All speed governor(Euro-3-)

Wheel Base

4,300mm ~ 4,950mm

Engine Power

310HP ~ 390HP

Chassis Frame External Width

760mm ~ 880mm

Axle Load Capacity

1st axle - 6.5ton(↑)
2nd & 3rd axle - 19.5ton(↑)

Item	Model	ECP30ZX	ECP30CX-5	ECP32RS	ECP32RX	ECP33CX-5	ECP36RX	ECP36ZX	ECP37ZX
A1(mm)		8230	7000	8205	8328	8300	9163	9538	9712
A2(mm)		7845	6660	7950	7950	7927	8790	9170	9375
A3(mm)		5850	5065	6400	6400	6400	6400	6400	6725
B1(mm)		3335	2978	3486	3550	3504	3803	3510	3516
B2(mm)		2755	2400	2805	2906	2869	2857	2875	2881
C1(mm)		5720	5019	6133	5737	5577	5500	5525	6300
C2(mm)		7470	6770	7500	7933	7968	7920	7920	8340
C3(mm)		250	250	257	373	580	373	373	334

*Described dimensions are based on the specifications of the standard model.

OL(Overall Length,mm)	10680	9460	10900	10578	10500	11490	11980	12200
OH(Overall Height,mm)	3800	3600	3880	3950	3950	3950	3950	3950
OW(Overall Width,mm)	2480	2480	2495	2495	2495	2495	2495	2495
WB(Wheel Base,mm)	4500	3850	4500	4500	4500	4925	4925	4925
RO(Rear Overhang,mm)	3522	2990	3310	3417	3452	4000	4190	4337
Turning radius(m)	9.8	9.3	9.8	9.8	9.8	10.2	10.2	10.2
Weight of upper body(kg)	13800	12500	15090	16680	17400	17600	17500	18120
Total weight(kg)	21950	18150	24860	24900	25650	25850	25750	27210

*Above specifications are subject to change by the kind of truck.