

CLEAN POWER FOR HEAVY JOBS



Technical data

| | |
|------------------|-----------------|
| Operating weight | 33.0 t – 37.8 t |
| Engine output | 160 kW |
| Reach | up to 16 m |

Features

- ▶ At Terex® Fuchs, BlueEVOLUTION means a combination of higher engine output power and significant reductions in emissions and fuel consumption, together with compliance to the future TIER4i/IIIB standard
- ▶ Intelligent cockpit design and driver information system, offering even higher levels of safety and user-friendliness
- ▶ New machine design incorporating optimised engineering
- ▶ Available with optional FUCHS QuickConnect (FQC) system

WORKS FOR YOU.™

NUMBER ONE CHOICE IN THE RECYCLING YARD



MHL350: setting a new standard

In its latest form, the MHL350 represents a new generation at Terex® Fuchs. With its combination of the classic Fuchs logo and a modern style of lettering, the new design is a synthesis of tradition, quality and invention. This new appearance is underpinned by a host of new technologies and innovations. For example, further engineering developments in the machine's structure have resulted in even greater stability and load-carrying capacity than was previously the case. In scrap handling and metal recycling, the MHL350 still symbolises economy and rugged durability – now more than ever.

- ▶ Operating weights from 33.0 – 37.8 t and a reach of up to 16 m – ideally suited for scrap handling applications
- ▶ A new design, new technologies and new features – setting the standard for logistics in today's scrapyards
- ▶ Superb stability when travelling, plus outstanding safety, load capacity and performance efficiency
- ▶ Faster work cycles, thanks to the powerful new hydraulic pump
- ▶ Integrated lift magnet control system, with performance-optimised generators
- ▶ The ideal solution - combining the proven durability of Terex® Fuchs machines with innovative, forward-looking technology
- ▶ The new MHL350 sets the standard for efficient scrap handling; with BlueEVOLUTION and TIER4i/IIIB already achieved, the new machine is well on track to meet 2014 emissions standards





YOUR HIGH-SPEC WORKSTATION

Reducing the workload. Relieving the stress.

Developers at Terex® Fuchs have completely re-worked the operator control environment, with a design which sets new standards in ergonomics, safety and comfort. Even on the toughest jobs, our exclusive new generation of air-cushioned driver seats make this a good place to work. Intuitive joystick control, a multi-function button and keys for direct access to individual machine functions all make machine operation both safe and simple. All the relevant information is clearly presented to the driver on a high-resolution, high-contrast display screen. Structural safety has also been improved: working in close cooperation with the construction industry trade association, Terex® Fuchs has once again strengthened the protective steel cab structure to meet the latest EU Machinery Directive. The driver is assisted by a rear-view camera (fitted as standard), which provides an excellent overview of the dead zone behind the machine.

- ▶ Comfortable interior equipment – driver's seat design based on latest ergonomics research
- ▶ Intuitive machine controls – simple-to-operate joystick, direct access to key functions
- ▶ Everything in view – mission-relevant information clearly displayed on the central high-res, high-contrast WVGA colour display screen, with anti-glare shield fitted as standard
- ▶ Simple start-/stop button (operates when ignition switched on)
- ▶ Improved all-round visibility, and an even better view to the rear when reversing or performing complex manoeuvres – thanks to the integral rear-view camera, fitted as standard
- ▶ The whole cab concept is designed to support the driver and lighten his load, and promote sustained stress-free working



Ergonomically designed, well planned interior. Aided by the colour display and the operator console, the driver can easily control every major function from the quiet comfort of his seat in the centre of the sound-proofed cab

Standard equipment: the rear-view camera provides a wide-angle view of the area behind the machine



RUGGED AND RELIABLE WITH ALL THE POWER YOU NEED



Precision kinematics for efficient power management

Power is important. But it's even more important to use that power efficiently and effectively. And this is where the kinematics concept of the MHL350 excels – not only by virtue of its impressive performance data, but also through its unparalleled speed and precision. The dual-circuit hydraulic system has enough in reserve to deliver rapid work cycle times, even under heavy loads. At the same time, the advanced kinematics design enables smooth, load-independent compound work manoeuvres to be performed with great delicacy and accuracy.

Low-maintenance reliability

When they're running, machines earn money; when they're not, machines cost money. Every Terex® Fuchs component is engineered for a long service life and for long service intervals. But, ready for the time when machine maintenance is eventually required, steps and service platforms are conveniently positioned to make the task easier. A whole range of actions have been taken to improve ease of maintenance. For better access, the fuel pre-filter is now mounted on top of the fuel tank, and the filler neck of the windscreen washer tank has been repositioned; and the fuse tester enables the driver to locate a faulty contact in an instant.



PERFORMANCE UP, EMISSIONS DOWN

BlueEVOLUTION®: The future generation – stronger, quieter and cleaner than ever

Evolution means a continuous development of the good to the even better. Terex has employed this philosophy on our Terex® Fuchs material handlers from the beginning, making us the innovation leader in this market. The driving force of these efforts is our aim to provide the most modern technologies and the best quality to you, our customer. BlueEVOLUTION® represents our latest step forward, an all-embracing intelligent set of energy-related measures harmonizing, performance, resource saving, and operating costs.

Efficiency and innovation are at the heart of BlueEVOLUTION®. The new MHL350 E has been equipped with a more powerful turbo-diesel engine, which not only boasts an impressive increase in output, but also uses significantly less fuel – protecting the environment and reducing your costs at the same time. The engine's high-performance cooling unit keeps the engine at the ideal temperature level, and thus increases its efficiency. The engine works in harmony with our load sensing hydraulic system, which provides the power you need on demand, but doesn't waste fuel generating excess hydraulic flow. The complete package offers a future-oriented solution for performance-oriented material handling businesses with a strong sense of responsibility who are already thinking of tomorrow today.

- ▶ The Terex® Fuchs MHL350 E machine with BlueEVOLUTION® technology meets strict TIER4i/IIIB emission limits
- ▶ Despite systematically reducing emission levels, engine power has been increased to 160 kW
- ▶ Low fuel consumption puts the brakes on operating costs caused by today's high oil prices
- ▶ Intelligent engine management and a high-performance cooling system protects against overloading and deliver real benefits in efficiency

A powerful new heart beats quietly inside the Terex® Fuchs MHL350 E: a 6-cylinder engine at the cutting edge of technology – a great platform for efficient energy use. Through BlueEVOLUTION®, we're not just helping your business, but also this blue planet we all live on



TECHNICAL DATA

OPERATING WEIGHT WITHOUT ATTACHMENTS

| | |
|---------------------|-----------------|
| MHL350 Series E | 33.0 t - 35.5 t |
| MHL350 FQC Series E | 33.0 t - 37.8 t |

DIESEL ENGINE

| | |
|--------------------------|--|
| Manufacturer and model | Deutz 6.1 L6 |
| Configuration | 6-cylinder inline |
| Engine management system | EMR IV |
| Type | 4-stroke diesel, common rail direct injection, turbocharger, controlled exhaust gas recirculation, diesel particulate filter with automatic regeneration |
| Engine output power | 160 kW |
| Nominal speed | 2000 min ⁻¹ |
| Displacement | 6.1 l |
| Cooling system | Combi-cooler (coolant/ charge air) with fan speed control system; optional reversing function |
| Emission standard | III B / EPA IV interim |
| Air filter design | Two-stage filter with safety cartridge and pre-separator with discharge valve |
| Usable tank capacity | 380 L, for at least two working shifts |

ELECTRICAL SYSTEM

| | |
|--------------------|---|
| Generator | 28 V / 100 A |
| Operating voltage | 24 V |
| Battery | 2 x 12 V / 110 Ah / 760 A (in accordance with EN standards) |
| Lighting set | 2 x H3 headlamps, turn indicators and tail lights |
| Optional equipment | 13 kW or 20 kW DC generator with controls and insulation monitoring, driven by V-belt direct from diesel engine |

TRAVEL DRIVE

| | |
|-------------------------|---|
| | Hydrostatic travel drive via infinitely variable axial piston motor with directly mounted travel brake valve, two-speed manual gearshift, 4-wheel drive |
| Maximum speed, 1st gear | 5 km/h |
| Maximum speed, 2nd gear | 20 km/h |
| Gradeability | 39 % max |
| Turning radius | 8.7 m |

SWING DRIVE

| | |
|----------------------------|---|
| Swing gear | Double row, internally geared ball-race slewing ring |
| Drive | 3-stage planetary gear with integrated multi-disc brake |
| Upper carriage swing speed | Infinitely variable from 0 - 7 rpm |
| Swing brake | Electrically operated |
| Max. swing torque | 80 kNm |

UNDERCARRIAGE

| | |
|-------------|--|
| Front axle | Rigid axle with integral drum brake, planetary drive, max. steering angle: 27° |
| Rear axle | Oscillating axle with integral drum brake and selectable oscillation lock, planetary drive |
| Support | 4-point stabilizer system |
| Stabilizers | Solid rubber, 8-ply 12.00-20 |

BRAKE SYSTEM

| | |
|---------------|---|
| Service brake | Hydraulic single-circuit braking system acting on all four wheel pairs |
| Parking brake | Electrically operated disc brake on travel gearbox, acting on both front and rear axles |

HYDRAULIC SYSTEM

| | |
|-------------------------|---|
| | LINDE mobile hydraulic system with load limit control and fuel-saving power demand control. Separate hydraulic oil cooler, temperature-controlled fan speed, with optional reversing function |
| Hydraulic oil filter | Integral return filter in oil tank for work hydraulics, with 3000 operating hrs service interval; oil filtration on all auxiliary circuits |
| Max. pump flow rate | 2 x 330 L/min |
| Max. operating pressure | 320/355 bar |
| Hydraulic oil tank | Usable tank capacity |

OPERATOR CAB

| | |
|------------------|---|
| | Infinitely variable hydraulic height-adjustment with eye level up to 5.60 m above ground. Flexibly mounted. Sound-insulated; heat-insulating glass panoramic windows for optimum all-around view; windshield with pull-down sunblind that slides under the cab roof; viewing window on cab roof; sliding window in cab door; height and tilt-adjustable steering column |
| Heating | Infinitely variable heating with 3-speed fan, 6 adjustable defroster nozzles (hot water system) |
| Operator's seat | Air-cushioned high-comfort seat with integrated headrest, safety belt and lumbar support, seat heating with integrated a/c function optional. Seat position, seat inclination and seat cushion multi-adjustable relative to position of armrests and pilot control units, allowing fatigue-free operation |
| Monitoring | Ergonomic layout; glare-free instrumentation. Multifunction display, automatic monitoring and recording of abnormal operating conditions (including all hydraulic oil filters, hydraulic oil temperature (cold/ hot) - coolant temperature and charge air temperature - condition of cooling system, diesel particulate filter load), visual and audible warning indication with shutdown of pilot controls/ engine power reduction. Diagnosis of individual sensors available via the multi-function display. Rear view camera |
| Air conditioning | Automatic |
| Noise level | $L_{W(A)} = 101$ dB(A) (guaranteed) in accordance with directive 2000/14 EC - max allowable under 2000/14 EC = 104 dB(A) |

OFFICIAL APPROVALS

| | |
|--|---|
| | Certified in accordance with CE regulations |
|--|---|

EQUIPMENT

MHL350 E

ENGINE

| | STANDARD | OPTIONAL |
|---|----------|----------|
| Exhaust gas turbocharger | • | |
| Charge air cooling | • | |
| Direct electronic fuel injection/ common rail | • | |
| Automatic idle | • | |
| Engine preheating | | • |
| Engine diagnostics interface | • | |
| System-controlled fan drive with fan speed monitoring | • | |

CAB

| | STANDARD | OPTIONAL |
|---|----------|----------|
| Cab elevation system | • | |
| Safety glass | • | |
| Hinged windscreen | • | |
| Sliding window in cab door | • | |
| Glazed roof panel | • | |
| Hinged roof opening | • | |
| Armoured glass (windscreen and roof panel) | | • |
| Armoured glass (windscreen and roof panel) MHL350 FQC | • | |
| Windscreen washer system | • | |
| Washer system installed underneath windscreen | | • |
| Air-cushioned operator seat with headrest, seatbelt, and lumbar support | • | |
| Seat heating with integrated a/c function | | • |
| Steering column, height and tilt adjustable | • | |
| Automatic air conditioning system | • | |
| Independent heating system | | • |
| Multi-function display | • | |
| Document clip | • | |
| Protective grilles to front and roof | | • |
| 12V transformer | | • |
| Radio CD player | | • |
| 12V power outlet | | • |
| Fire extinguisher, dry powder | | • |
| Rotating beacon | | • |

SUPERSTRUCTURE

| | STANDARD | OPTIONAL |
|---|----------|----------|
| Separate cooling systems (combi-cooler for engine and hydraulic oil cooler) | • | |
| Cooling system fan speeds controlled by operating parameters | • | |
| Fan drive reversing function | | • |
| Lockable maintenance hatches, with gas struts | • | |
| Automatic central lubrication system | • | |
| Rear view camera | • | |
| Reversing alarm | | • |
| Electric refuelling pump | | • |
| Lighting protection | | • |
| Special paint | | • |

UNDERCARRIAGE

| | STANDARD | OPTIONAL |
|--|----------|----------|
| 4-wheel differential drive | • | |
| Drum brakes | • | |
| Rear axle oscillating lock | • | |
| 2-speed manual transmission | • | |
| 2-speed powershift transmission | | • |
| 4-point stabilizers | • | |
| Stabilizer cylinders with integrated two-way check valves | • | |
| Piston rod protection on stabilizer cylinders | • | |
| Stabilizer plates 430 x 600 | • | |
| 4-point stabilizers, individually controllable | | • |
| Dozer blade with plastic or Hardox edge (in addition to 4-point stabilizers) | | • |
| Tool box | • | |
| Special paint | | • |

EQUIPMENT

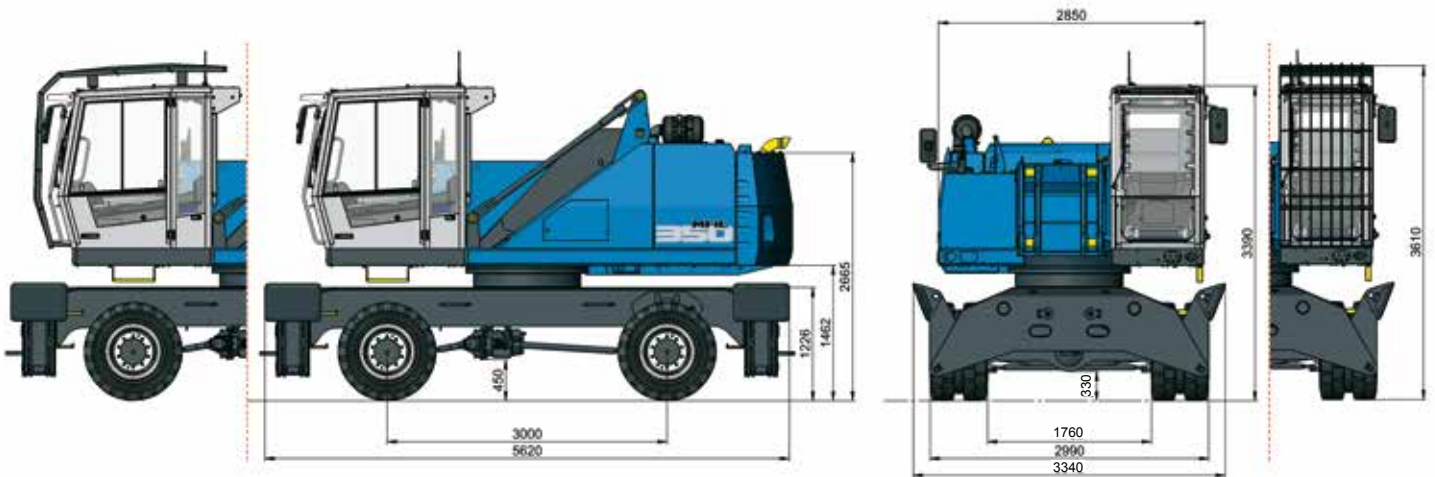
| | STANDARD | OPTIONAL |
|--|----------|----------|
| 13 kW DC generator with controls and insulation monitoring | | • |
| 20 kW DC generator with controls and insulation monitoring | | • |
| Close proximity range limiter for dipper stick | • | |
| Coolant and hydraulic oil level monitoring system | • | |
| Filter system for attachments | | • |
| Filter system for attachments MHL350 FQC | • | |
| Hose rupture protection for lift cylinder | | • |
| Hose rupture protection for dipperstick cylinder | | • |
| Overload warning device | | • |
| Quick coupling on dipperstick | • | |
| Cut-off ball valve on dipperstick | | • |
| Dipperstick impact protection | | • |
| Cyclonic pre-separator for air-filter | | • |
| Hydraulic oil preheating | | • |
| Float switch | | • |
| Joystick steering | | • |
| Central lubrication system for grab suspension lubrication | • | |
| H3 headlamps | • | |
| H3 worklights on boom and dipperstick (up to 4) | | • |
| Xenon worklights on boom and dipperstick (up to 4) | | • |
| Front-mounted Xenon worklights (up to 2) | | • |
| Xenon worklights on cab roof (up to 4) | | • |

More special equipment available on request!

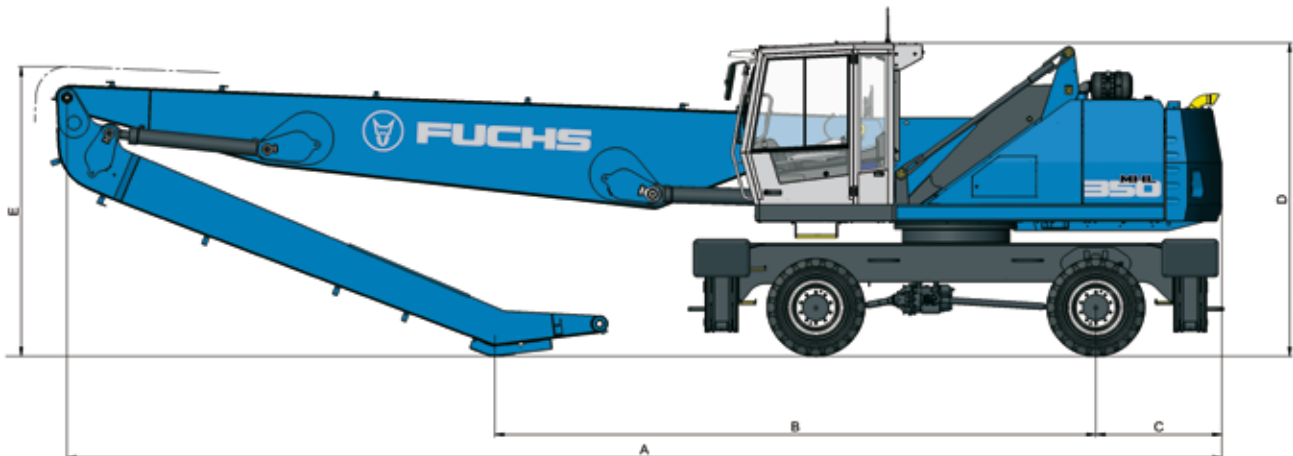
WORKS FOR YOU.™

DIMENSIONS

MHL350 E



TRANSPORT DIMENSIONS MHL350 E



| Dimension | Reach 15.0 m | Reach 16.0 m | Reach 14.7 m Multi-purpose stick |
|-----------|--------------------|--------------------|-------------------------------------|
| A | 12.610 mm | 12.570 mm | 12.610 mm |
| B | 6.450 mm | 5.610 mm | 6.380 mm |
| C | 1.350 mm | 1.350 mm | 1.350 mm |
| D | 3.390 mm/3.610 mm* | 3.390 mm/3.610 mm* | 3.390 mm/3.610 mm* |
| E | 3.020 mm | 3.600 mm | 3.040 mm |

* including cab roof protective grille

TRANSPORT DIMENSIONS MHL350 E



LOADING SYSTEMS WITH DIPPERSTICK OR MULTI-PURPOSE STICK MHL350

| Component | 15.0 m | 14.7 m mit MPS | 16.0 m | 15.0 m cranked | 16.0 m cranked |
|---------------------------|--------|----------------|--------|----------------|----------------|
| Straight boom 8.5 m | • | • | • | | |
| Cranked boom 8.5 m | | | | • | • |
| Dipperstick 6.2 m | • | | | • | |
| Dipperstick 7.2 m | | | • | | • |
| Multi-purpose stick 5.6 m | | • | | | |

LOADING SYSTEMS MHL350 E FQC

| Component | 13.0 m | 12.5 m mit MPS | 12.5 m with scrap shears | | |
|------------------------------------|--------|----------------|--------------------------|--|--|
| FQC boom 6.4 m | • | • | • | | |
| FQC dipperstick foot 1.5 m | • | • | • | | |
| FQC dipperstick head 4.6 m | • | | | | |
| FQC multi-purpose stick head 4.1 m | | • | | | |

WORKS FOR YOU.™

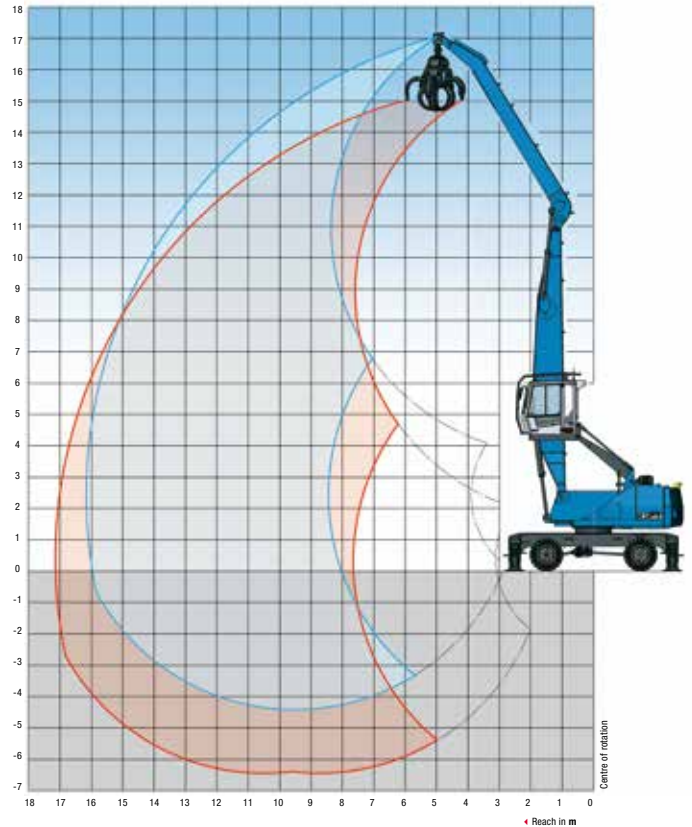
WORKING RANGES/LOAD CAPACITIES

16 M REACH WITH DIPPERSTICK

| | |
|----------------|--|
| Loading system | Boom 8.5 m, Dipperstick 7.2 m, Cactus grab |
|----------------|--|

RECOMMENDED ATTACHMENTS

| | |
|-------------------------------------|--|
| Terex® Fuchs cactus grab 0.6 m³ | Open or half-closed |
| Terex® Fuchs magnetic plate MP 1150 | dia = 1150 mm with 13 kW magnet system |
| Clamshell grab 1.0 m³ | Density of materials handled up to 800 kg/m³ |
| Lift hook | 10 t |



Load capacities are stated in tonnes (t). The pump pressure is 355 bar. The values, in accordance with ISO 10567, amount to 75% of the static tipping load or 87% of the hydraulic lifting force (marked *). They apply to slewing operations through 360° on a firm and level surface. Values in brackets apply to the longitudinal direction of the undercarriage. The “without stabilizers” values apply when the load is hoisted above the front or rear axle with the oscillating axle locked. The weight of the attached hoisting equipment (grab, lifting hook, etc.) must be deducted from the capacity values. In accordance with harmonised EU standard EN 474-5:2006, hose-rupture safety valves on the lift cylinders and an overload warning device are required for crane operations.

| Height m | Undercarriage stabilisation | Reach m | | | | | | | | |
|-------------|--------------------------------|---------------|---------------|-------------|-------------|-------------|-------------|-------------|-------------|--|
| | | 4.5 | 6 | 7.5 | 9 | 10.5 | 12 | 13.5 | 15 | |
| 16.5 | Without stabilizers | | (4.2*) | | | | | | | |
| | With 4-pt stabilizers | | 4.2* (4.2*) | | | | | | | |
| 15 | Without stabilizers | | | (4.6*) | (3.3*) | | | | | |
| | With 4-pt stabilizers | | | 4.6* (4.6*) | 3.3* (3.3*) | | | | | |
| 13.5 | Without stabilizers | | | | (4.7*) | (3.5*) | | | | |
| | With 4-pt stabilizers | | | | 4.7* (4.7*) | 3.5* (3.5*) | | | | |
| 12 | Without stabilizers | | | | (5.4*) | (4.3) | (3.2*) | | | |
| | With 4-pt stabilizers | | | | 5.4* (5.4*) | 4.6* (4.6*) | 3.2* (3.2*) | | | |
| 10.5 | Without stabilizers | | | | (5.7) | (4.3) | (3.4) | (2.6*) | | |
| | With 4-pt stabilizers | | | | 5.9* (5.9*) | 5.3* (5.3*) | 4.3* (4.3*) | 2.6* (2.6*) | | |
| 9 | Without stabilizers | | | | (5.6) | (4.3) | (3.3) | (2.6) | | |
| | With 4-pt stabilizers | | | | 6.2* (6.2*) | 5.6* (5.6*) | 5.1* (5.1*) | 3.7* (3.7*) | | |
| 7.5 | Without stabilizers | | | (7.2*) | (5.5) | (4.2) | (3.3) | (2.6) | (2.1) | |
| | With 4-pt stabilizers | | | 7.2* (7.2*) | 6.4* (6.4*) | 5.7* (5.7*) | 5.1* (5.1*) | 4.3 (4.5*) | 2.8* (2.8*) | |
| 6 | Without stabilizers | | | (7.1) | (5.2) | (4.0) | (3.2) | (2.5) | (2.0) | |
| | With 4-pt stabilizers | | | 7.8* (7.8*) | 6.7* (6.7*) | 5.9* (5.9*) | 5.1 (5.2*) | 4.2 (4.6*) | 3.5 (3.7*) | |
| 4.5 | Without stabilizers | (10.1*) | (9.4) | (6.6) | (4.9) | (3.8) | (3.0) | (2.4) | (2.0) | |
| | With 4-pt stabilizers | 10.1 (10.1*) | 10.6* (10.6*) | 8.4* (8.4*) | 7.1* (7.1*) | 6.1* (6.1*) | 5.0 (5.3*) | 4.1 (4.7*) | 3.4 (4.1) | |
| 3 | Without stabilizers | (13.0) | (8.4) | (6.0) | (4.6) | (3.6) | (2.9) | (2.4) | (1.9) | |
| | With 4-pt stabilizers | 16.9* (16.9*) | 11.7* (11.7*) | 9.0* (9.0*) | 7.4* (7.4*) | 5.9 (6.2*) | 4.8 (5.4*) | 4.0 (4.7*) | 3.4 (4.0*) | |
| 1.5 | Without stabilizers | (5.3*) | (7.5) | (5.5) | (4.2) | (3.4) | (2.7) | (2.3) | (1.9) | |
| | With 4-pt stabilizers | 5.3* (5.3*) | 12.5* (12.5*) | 9.4* (9.4*) | 7.2 (7.6*) | 5.7 (6.3*) | 4.7 (5.4*) | 3.9* (4.6*) | 3.3 (3.9*) | |
| 0 | Without stabilizers | (3.8*) | (6.9) | (5.1) | (4.0) | (3.2) | (2.6) | (2.2) | (1.8) | |
| | With 4-pt stabilizers | 3.8* (3.8*) | 9.2* (9.2*) | 8.9 (9.5*) | 6.9 (7.6*) | 5.5 (6.3*) | 4.5 (5.3*) | 3.8 (4.5*) | 3.3 (3.7*) | |
| -1.5 | Without stabilizers | (3.9*) | (6.5) | (4.8) | (3.8) | (3.1) | (2.5) | (2.1) | (1.8) | |
| | With 4-pt stabilizers | 3.9* (3.9*) | 7.1* (7.1*) | 8.7 (9.1*) | 6.7 (7.3*) | 5.4 (6.0*) | 4.4 (5.0*) | 3.8 (4.1*) | 3.2* (3.2*) | |
| -3 | Without stabilizers | | (6.4) | (4.7) | (3.7) | (3.0) | (2.5) | (2.1) | | |
| | With 4-pt stabilizers | | 6.8* (6.8*) | 8.3* (8.3*) | 6.5 (6.7*) | 5.3 (5.5*) | 4.4 (4.5*) | 3.6* (3.6*) | | |

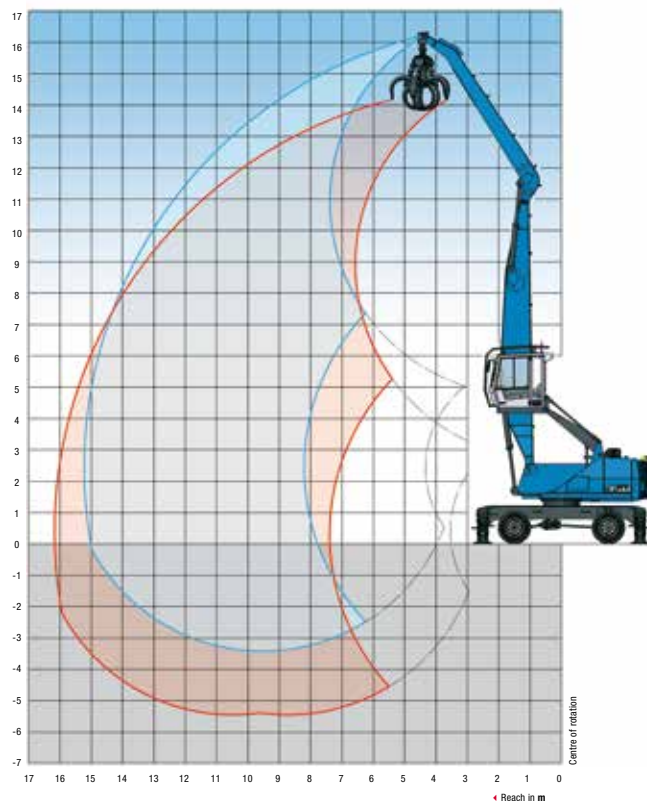
15 M REACH WITH DIPPERSTICK

| | |
|----------------|--|
| Loading system | Boom 8.5 m, Dipperstick 6.2 m, Cactus grab |
|----------------|--|

RECOMMENDED ATTACHMENTS

| | |
|-------------------------------------|--|
| Terex® Fuchs cactus grab 0.6 m³ | Open or half-closed |
| Terex® Fuchs cactus grab 0.8 m³ | Open or half-closed |
| Terex® Fuchs magnetic plate MP 1250 | dia = 1250 mm with 20 kW magnet system |
| Clamshell grab 1.4 m³ | Density of materials handled up to 1.600 kg/m³ |
| Clamshell grab 1.6 m³ | Density of materials handled up to 800 kg/m³ |
| Lift hook | 10 t |

Load capacities are stated in tonnes (t). The pump pressure is 355 bar. The values, in accordance with ISO 10567, amount to 75% of the static tipping load or 87% of the hydraulic lifting force (marked *). They apply to slewing operations through 360° on a firm and level surface. Values in brackets apply to the longitudinal direction of the undercarriage. The "without stabilizers" values apply when the load is hoisted above the front or rear axle with the oscillating axle locked. The weight of the attached hoisting equipment (grab, lifting hook, etc.) must be deducted from the capacity values. In accordance with harmonised EU standard EN 474-5:2006, hose-rupture safety valves on the lift cylinders and an overload warning device are required for crane operations.



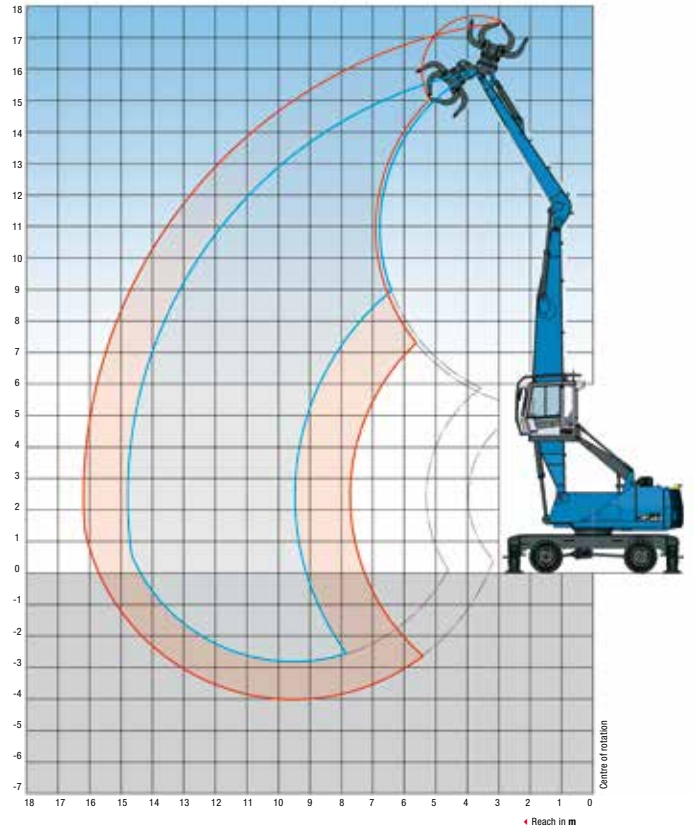
| Height m | Undercarriage stabilisation | Reach m | | | | | | | | |
|-------------|--------------------------------|---------------|---------------|-------------|-------------|-------------|-------------|-------------|-------------|--|
| | | 4.5 | 6 | 7.5 | 9 | 10.5 | 12 | 13.5 | 15 | |
| 15 | Without stabilizers | | (5.5*) | (3.7*) | | | | | | |
| | With 4-pt stabilizers | | 5.5* (5.5*) | 3.7* (3.7*) | | | | | | |
| 13.5 | Without stabilizers | | | (5.7*) | (4.3*) | | | | | |
| | With 4-pt stabilizers | | | 5.7* (5.7*) | 4.3* (4.3*) | | | | | |
| 12 | Without stabilizers | | | (6.5*) | (5.5) | (4.1) | | | | |
| | With 4-pt stabilizers | | | 6.5* (6.5*) | 5.7* (5.7*) | 4.3* (4.3*) | | | | |
| 10.5 | Without stabilizers | | | (7.2*) | (5.5) | (4.2) | (3.2) | | | |
| | With 4-pt stabilizers | | | 7.2* (7.2*) | 6.6* (6.6*) | 5.6* (5.6*) | 3.8* (3.8*) | | | |
| 9 | Without stabilizers | | | (7.4) | (5.4) | (4.1) | (3.2*) | (2.5) | | |
| | With 4-pt stabilizers | | | 7.6* (7.6*) | 6.7* (6.7*) | 5.9* (5.9*) | 5.1* (5.1*) | 2.6* (2.6*) | | |
| 7.5 | Without stabilizers | | | (7.1) | (5.3) | (4.0) | (3.2) | (2.5) | | |
| | With 4-pt stabilizers | | | 8.0* (8.0*) | 6.9* (6.9*) | 6.0* (6.0*) | 5.1 (5.3*) | 4.1* (4.1*) | | |
| 6 | Without stabilizers | | (9.7) | (6.7) | (5.0) | (3.9) | (3.1) | (2.5) | | |
| | With 4-pt stabilizers | | 10.5* (10.5*) | 8.5* (8.5*) | 7.1* (7.1*) | 6.2* (6.2*) | 5.0 (5.4*) | 4.1 (4.8*) | | |
| 4.5 | Without stabilizers | (13.9) | (8.8) | (6.3) | (4.7) | (3.7) | (3.0) | (2.4) | (2.0) | |
| | With 4-pt stabilizers | 16.3* (16.3*) | 11.6* (11.6*) | 9.0* (9.0*) | 7.4* (7.4*) | 6.1 (6.3*) | 5.0 (5.5*) | 4.1 (4.8*) | 2.9* (2.9*) | |
| 3 | Without stabilizers | (6.3) | (7.9) | (5.8) | (4.4) | (3.5) | (2.8) | (2.3) | (1.9) | |
| | With 4-pt stabilizers | 9.0* (9.0*) | 12.5* (12.5*) | 9.5* (9.5*) | 7.4 (7.7*) | 5.8 (6.4*) | 4.8 (5.5*) | 4.0 (4.7*) | 3.4* (3.4*) | |
| 1.5 | Without stabilizers | | (7.1) | (5.3) | (4.1) | (3.3) | (2.7) | (2.3) | (1.9) | |
| | With 4-pt stabilizers | | 10.3* (10.3*) | 9.2 (9.7*) | 7.1 (7.8*) | 5.6 (6.4*) | 4.7 (5.4*) | 3.9 (4.5*) | 3.3* (3.3*) | |
| 0 | Without stabilizers | | (6.7) | (5.0) | (3.9) | (3.2) | (2.6) | (2.2) | (1.9) | |
| | With 4-pt stabilizers | | 7.0* (7.0*) | 8.9 (9.5*) | 6.8 (7.6*) | 5.5 (6.3*) | 4.5 (5.2*) | 3.9 (4.3*) | 3.0* (3.0*) | |
| -1.5 | Without stabilizers | | (6.5*) | (4.9) | (3.8) | (3.1) | (2.6) | (2.2) | | |
| | With 4-pt stabilizers | | 6.5* (6.5*) | 8.7* (8.7*) | 6.7 (7.1*) | 5.4 (5.9*) | 4.5 (4.8*) | 3.8* (3.8*) | | |
| -3 | Without stabilizers | | | (4.8) | (3.8) | (3.1) | | | | |
| | With 4-pt stabilizers | | | 7.6* (7.6*) | 6.3* (6.3*) | 5.2* (5.2*) | | | | |

WORKS FOR YOU.™

WORKING RANGES/LOAD CAPACITIES

14.7 M REACH WITH MULTI-PURPOSE STICK

Loading system
 Boom 8.5 m,
 Multi-purpose stick 5.6 m,
 Cactus grab



Load capacities are stated in tonnes (t). The pump pressure is 355 bar. The values, in accordance with ISO 10567, amount to 75% of the static tipping load or 87% of the hydraulic lifting force (marked *). They apply to slewing operations through 360° on a firm and level surface. Values in brackets apply to the longitudinal direction of the undercarriage. The "without stabilizers" values apply when the load is hoisted above the front or rear axle with the oscillating axle locked. The weight of the attached hoisting equipment (grab, lifting hook, etc.) must be deducted from the capacity values. In accordance with harmonised EU standard EN 474-5:2006, hose-rupture safety valves on the lift cylinders and an overload warning device are required for crane operations.

| Height m | Undercarriage stabilisation | Reach m | | | | | | |
|-------------|--------------------------------|---------------|---------------|-------------|-------------|-------------|-------------|-------------|
| | | 4.5 | 6 | 7.5 | 9 | 10.5 | 12 | 13.5 |
| 15 | Without stabilizers | | (4.6*) | | | | | |
| | With 4-pt stabilizers | | 4.6* (4.6*) | | | | | |
| 13.5 | Without stabilizers | | | (5.4*) | | | | |
| | With 4-pt stabilizers | | | 5.4* (5.4*) | | | | |
| 12 | Without stabilizers | | | (6.7*) | (5.1*) | (3.4*) | | |
| | With 4-pt stabilizers | | | 6.7* (6.7*) | 5.5* (5.5*) | 3.4* (3.5*) | | |
| 10.5 | Without stabilizers | | | (7.1*) | (5.2) | (3.9) | (2.6) | |
| | With 4-pt stabilizers | | | 7.6* (7.6*) | 6.6* (6.6*) | 5.4* (5.4*) | 2.6* (2.6*) | |
| 9 | Without stabilizers | | | (7.0) | (5.1) | (3.9) | (3.0) | |
| | With 4-pt stabilizers | | | 7.8* (7.8*) | 6.7* (6.7*) | 5.9* (5.9*) | 4.7* (4.7*) | |
| 7.5 | Without stabilizers | | (9.8*) | (6.8*) | (5.0) | (3.8) | (2.9) | (2.3) |
| | With 4-pt stabilizers | | 9.9* (9.9*) | 8.1* (8.1*) | 6.9* (6.9*) | 5.9* (5.9*) | 4.9* (5.2*) | 3.0* (3.0*) |
| 6 | Without stabilizers | (13.7*) | (9.2) | (6.4) | (4.7) | (3.6) | (2.9) | (2.3) |
| | With 4-pt stabilizers | 13.7* (13.7*) | 10.8* (10.8*) | 8.5* (8.5*) | 7.1* (7.1*) | 6.0* (6.1*) | 4.8 (5.3*) | 3.9 (4.4*) |
| 4.5 | Without stabilizers | (12.8) | (8.3) | (5.9) | (4.4) | (3.5) | (2.8) | (2.2) |
| | With 4-pt stabilizers | 17.1* (17.1*) | 11.8* (11.8*) | 9.0* (9.0*) | 7.4* (7.4*) | 5.8 (6.2*) | 4.7 (5.3*) | 3.9 (4.5*) |
| 3 | Without stabilizers | | (7.4) | (5.4) | (4.2) | (3.3) | (2.6) | (2.2) |
| | With 4-pt stabilizers | | 12.5* (12.5*) | 9.3* (9.4*) | 7.1* (7.5*) | 5.6 (6.2*) | 4.6 (5.3*) | 3.8 (4.4*) |
| 1.5 | Without stabilizers | | (6.8) | (5.0) | (3.9) | (3.1) | (2.5) | (2.1) |
| | With 4-pt stabilizers | | 7.6* (7.6*) | 8.9* (9.4*) | 6.8 (7.5*) | 5.4 (6.2*) | 4.5 (5.1*) | 3.7 (4.2*) |
| 0 | Without stabilizers | | (6.1) | (4.8) | (3.7) | (3.0) | (2.5) | (2.1) |
| | With 4-pt stabilizers | | 6.1* (6.1*) | 8.6 (9.0*) | 6.6 (7.2*) | 5.3 (5.9*) | 4.4 (4.9*) | 3.7 (3.9*) |
| -1.5 | Without stabilizers | | (6.2) | (4.7) | (3.6) | (2.9) | (2.4) | |
| | With 4-pt stabilizers | | 6.2* (6.2*) | 8.1* (8.1*) | 6.5 (6.6*) | 5.2 (5.4*) | 4.3* (4.4*) | |



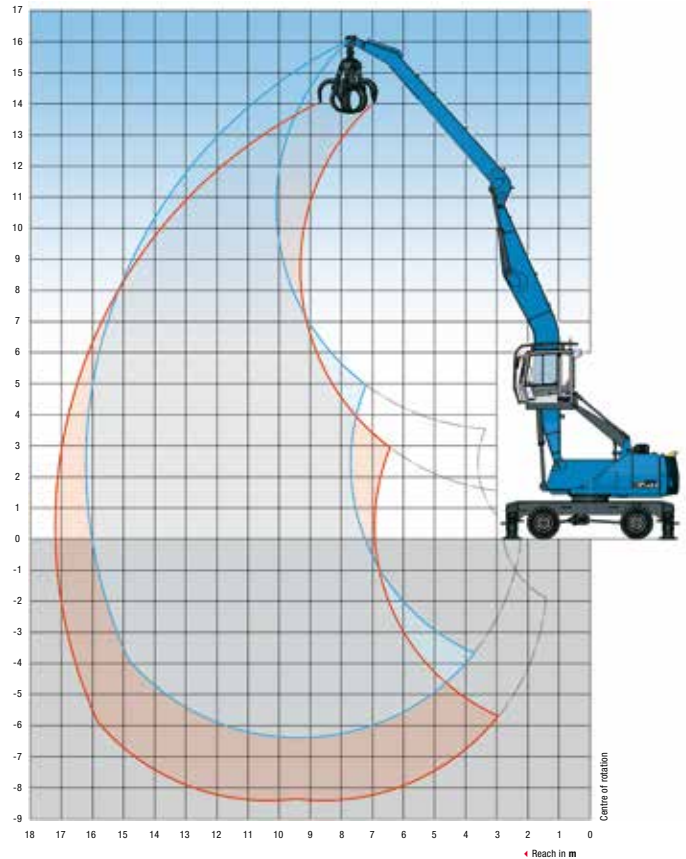
WORKING RANGES/LOAD CAPACITIES

16 M REACH CRANKED

Loading system
Cranked boom 8.5 m,
Dipperstick 7.2 m,
Cactus grab

RECOMMENDED ATTACHMENTS

Terex® Fuchs cactus grab 0.6 m³ Open or half-closed
Terex® Fuchs magnetic plate MP 1150 dia = 1150 mm with 13 kW magnet system
Clamshell grab 1.0 m³ Density of materials handled up to 800 kg/m³
Lift hook 10 t



Load capacities are stated in tonnes (t). The pump pressure is 355 bar. The values, in accordance with ISO 10567, amount to 75% of the static tipping load or 87% of the hydraulic lifting force (marked *). They apply to slewing operations through 360° on a firm and level surface. Values in brackets apply to the longitudinal direction of the undercarriage. The "without stabilizers" values apply when the load is hoisted above the front or rear axle with the oscillating axle locked. The weight of the attached hoisting equipment (grab, lifting hook, etc.) must be deducted from the capacity values. In accordance with harmonised EU standard EN 474-5:2006, hose-rupture safety valves on the lift cylinders and an overload warning device are required for crane operations.

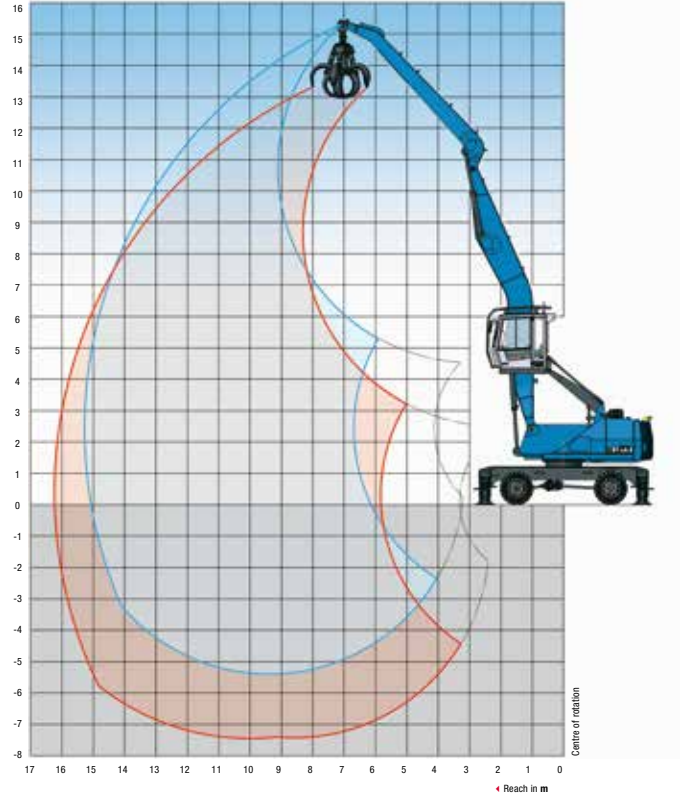
| Height m | Undercarriage stabilisation | Reach m | | | | | | | | |
|-------------|--------------------------------|---------------|---------------|-------------|-------------|-------------|-------------|-------------|-------------|-------------|
| | | 4.5 | 6 | 7.5 | 9 | 10.5 | 12 | 13.5 | 15 | 16 |
| 15 | Without stabilizers | | | | (2.6*) | | | | | |
| | With 4-pt stabilizers | | | | 2.6* (2.6*) | | | | | |
| 13.5 | Without stabilizers | | | | | (2.9*) | | | | |
| | With 4-pt stabilizers | | | | | 2.9* (2.9*) | | | | |
| 12 | Without stabilizers | | | | | (4.1*) | (2.7*) | | | |
| | With 4-pt stabilizers | | | | | 4.1* (4.1*) | 2.7* (2.7*) | | | |
| 10.5 | Without stabilizers | | | | | (4.3*) | (3.5) | (2.0*) | | |
| | With 4-pt stabilizers | | | | | 4.3* (4.3*) | 3.8* (3.8*) | 2.0* (2.0*) | | |
| 9 | Without stabilizers | | | | | (4.3*) | (3.5) | (2.8) | | |
| | With 4-pt stabilizers | | | | | 4.3* (4.3*) | 4.1* (4.1*) | 3.2* (3.2*) | | |
| 7.5 | Without stabilizers | | | | | (4.3) | (3.4) | (2.7) | (1.9*) | |
| | With 4-pt stabilizers | | | | | 4.5* (4.5*) | 4.2* (4.2*) | 4.0* (4.0*) | 1.9* (1.9*) | |
| 6 | Without stabilizers | | | | (5.2*) | (4.2) | (3.3) | (2.6) | (2.1) | |
| | With 4-pt stabilizers | | | | 5.2* (5.2*) | 4.7* (4.7*) | 4.4* (4.4*) | 4.1 (4.1*) | 2.8* (2.8*) | |
| 4.5 | Without stabilizers | | | (6.6*) | (5.1) | (4.0) | (3.2) | (2.6) | (2.1) | (1.4*) |
| | With 4-pt stabilizers | | | 6.6* (6.6*) | 5.7* (5.7*) | 5.0* (5.0*) | 4.6* (4.6*) | 4.2* (4.2*) | 3.4* (3.4*) | 1.4* (1.4*) |
| 3 | Without stabilizers | (13.4) | (8.7) | (6.2) | (4.7) | (3.7) | (3.0) | (2.5) | (2.0) | (1.7*) |
| | With 4-pt stabilizers | 13.7* (13.7*) | 9.6* (9.6*) | 7.5* (7.5*) | 6.2* (6.2*) | 5.4* (5.4*) | 4.8* (4.8*) | 4.1 (4.3*) | 3.5 (3.8*) | 1.7* (1.7*) |
| 1.5 | Without stabilizers | (6.4) | (7.7) | (5.7) | (4.4) | (3.5) | (2.9) | (2.4) | (2.0) | (1.7*) |
| | With 4-pt stabilizers | 6.4* (6.4*) | 11.0* (11.0*) | 8.3* (8.3*) | 6.7* (6.7*) | 5.7* (5.7*) | 4.8 (5.0*) | 4.0 (4.4*) | 3.4 (4.0*) | 1.7* (1.7*) |
| 0 | Without stabilizers | (4.4*) | (7.0) | (5.2) | (4.1) | (3.3) | (2.7) | (2.3) | (2.0) | (1.3*) |
| | With 4-pt stabilizers | 4.4* (4.4*) | 10.0* (10.0*) | 8.9* (8.9*) | 7.0 (7.1*) | 5.6 (6.0*) | 4.6 (5.1*) | 3.9 (4.5*) | 3.3 (4.0*) | 1.3* (1.3*) |
| -1.5 | Without stabilizers | (4.5) | (6.6) | (4.9) | (3.9) | (3.2) | (2.6) | (2.2) | (1.9) | |
| | With 4-pt stabilizers | 4.5* (4.5*) | 7.6* (7.6*) | 8.7 (9.2*) | 6.8 (7.4*) | 5.5 (6.1*) | 4.5 (5.2*) | 3.8 (4.5*) | 3.3* (3.4*) | |
| -3 | Without stabilizers | (4.7) | (6.5) | (4.8) | (3.8) | (3.1) | (2.5) | (2.2) | (1.9) | |
| | With 4-pt stabilizers | 4.7* (4.7*) | 7.0* (7.0*) | 8.6 (9.2*) | 6.6 (7.4*) | 5.3 (6.1*) | 4.4 (5.2*) | 3.8* (4.4*) | 2.2* (2.2*) | |
| -4.5 | Without stabilizers | | (6.5) | (4.7) | (3.7) | (3.0) | (2.5) | (2.2) | | |
| | With 4-pt stabilizers | | 7.0* (7.0*) | 8.5 (8.8*) | 6.6 (7.1*) | 5.3 (5.9*) | 4.4 (4.9*) | 3.8 (4.1*) | | |
| -6 | Without stabilizers | | | (4.8) | (3.7) | (3.0) | | | | |
| | With 4-pt stabilizers | | | 8.0* (8.0*) | 6.5* (6.5*) | 5.3 (5.4*) | | | | |

15 M REACH CRANKED

| | |
|----------------|--|
| Loading system | Cranked boom 8.5 m, Dipperstick 6.2 m, Cactus grab |
|----------------|--|

RECOMMENDED ATTACHMENTS

| | |
|-------------------------------------|--|
| Terex® Fuchs cactus grab 0.6 m³ | Open or half-closed |
| Terex® Fuchs cactus grab 0.8 m³ | Open or half-closed |
| Terex® Fuchs magnetic plate MP 1250 | dia = 1250 mm with 20 kW magnet system |
| Clamshell grab 1.4 m³ | Density of materials handled up to 1.600 kg/m³ |
| Clamshell grab 1.6 m³ | Density of materials handled up to 800 kg/m³ |
| Lift hook | 10 t |



Load capacities are stated in tonnes (t). The pump pressure is 355 bar. The values, in accordance with ISO 10567, amount to 75% of the static tipping load or 87% of the hydraulic lifting force (marked *). They apply to slewing operations through 360° on a firm and level surface. Values in brackets apply to the longitudinal direction of the undercarriage. The “without stabilizers” values apply when the load is hoisted above the front or rear axle with the oscillating axle locked. The weight of the attached hoisting equipment (grab, lifting hook, etc.) must be deducted from the capacity values. In accordance with harmonised EU standard EN 474-5:2006, hose-rupture safety valves on the lift cylinders and an overload warning device are required for crane operations.

| Height m | Undercarriage stabilisation | Reach m | | | | | | | | |
|-------------|--------------------------------|---------------|---------------|-------------|-------------|-------------|-------------|-------------|-------------|--|
| | | 4.5 | 6 | 7.5 | 9 | 10.5 | 12 | 13.5 | 15 | |
| 15 | Without stabilizers | | | (2.7*) | | | | | | |
| | With 4-pt stabilizers | | | 2.7* (2.7*) | | | | | | |
| 13.5 | Without stabilizers | | | | (3.5*) | | | | | |
| | With 4-pt stabilizers | | | | 3.5* (3.5*) | | | | | |
| 12 | Without stabilizers | | | | (5.0*) | (3.6*) | | | | |
| | With 4-pt stabilizers | | | | 5.0* (5.0*) | 3.6* (3.6*) | | | | |
| 10.5 | Without stabilizers | | | | | (4.3) | (3.1*) | | | |
| | With 4-pt stabilizers | | | | | 4.7* (4.7*) | 3.1* (3.1*) | | | |
| 9 | Without stabilizers | | | | (5.0*) | (4.2) | (3.3) | (1.9) | | |
| | With 4-pt stabilizers | | | | 5.0* (5.0*) | 4.7* (4.7*) | 4.4* (4.4*) | 1.9* (1.9*) | | |
| 7.5 | Without stabilizers | | | | (5.3*) | (4.1) | (3.3) | (2.6) | | |
| | With 4-pt stabilizers | | | | 5.3* (5.3*) | 4.9* (4.9*) | 4.5* (4.5*) | 3.4* (3.4*) | | |
| 6 | Without stabilizers | | | (6.5*) | (5.2) | (4.0) | (3.2) | (2.5) | | |
| | With 4-pt stabilizers | | | 6.5* (6.5*) | 5.7* (5.7*) | 5.1* (5.1*) | 4.6* (4.6*) | 4.2 (4.3*) | | |
| 4.5 | Without stabilizers | (12.7*) | (9.1*) | (6.4) | (4.9) | (3.8) | (3.0) | (2.5) | (1.8*) | |
| | With 4-pt stabilizers | 12.7* (12.7*) | 9.2* (9.2*) | 7.3* (7.3*) | 6.2* (6.2*) | 5.4* (5.4*) | 4.8* (4.8*) | 4.1* (4.4*) | 1.8* (1.8*) | |
| 3 | Without stabilizers | (7.8*) | (8.1) | (5.9) | (4.5) | (3.6) | (2.9) | (2.4) | (2.0) | |
| | With 4-pt stabilizers | 7.8* (7.8*) | 10.7* (10.7*) | 8.1* (8.1*) | 6.7* (6.7*) | 5.7* (5.7*) | 4.8 (5.0*) | 4.0 (4.5*) | 2.3* (2.3*) | |
| 1.5 | Without stabilizers | (3.8*) | (7.3) | (5.4) | (4.2) | (3.4) | (2.8) | (2.3) | (1.9) | |
| | With 4-pt stabilizers | 3.8* (3.8*) | 11.3* (11.3*) | 8.8* (8.8*) | 7.1* (7.1*) | 5.7 (6.0*) | 4.7 (5.2*) | 3.9 (4.6*) | 2.4* (2.4*) | |
| 0 | Without stabilizers | (3.7*) | (6.8) | (5.1) | (4.0) | (3.2) | (2.7) | (2.2) | (1.8*) | |
| | With 4-pt stabilizers | 3.7* (3.7*) | 7.5* (7.5*) | 8.9 (9.2*) | 6.9 (7.4*) | 5.5 (6.1*) | 4.6 (5.3*) | 3.9 (4.6*) | 1.8* (1.8*) | |
| -1.5 | Without stabilizers | (4.1*) | (6.6) | (4.9) | (3.8) | (3.1) | (2.6) | (2.2) | | |
| | With 4-pt stabilizers | 4.1* (4.1*) | 6.8* (6.8*) | 8.7 (9.3*) | 6.7 (7.5*) | 5.4 (6.2*) | 4.5 (5.1*) | 3.8 (4.5*) | | |
| -3 | Without stabilizers | (4.7*) | (6.6) | (4.8) | (3.8) | (3.1) | (2.6) | (2.2) | | |
| | With 4-pt stabilizers | 4.7* (4.7*) | 6.9* (6.9*) | 8.6 (9.0*) | 6.6 (7.3*) | 5.3 (6.0*) | 4.5 (5.1*) | 3.8 (4.2*) | | |
| -4.5 | Without stabilizers | | | (4.8) | (3.8) | (3.1) | (2.6) | | | |
| | With 4-pt stabilizers | | | 8.4* (8.4*) | 6.6 (6.8*) | 5.3 (5.6*) | 4.5 (4.6*) | | | |

WORKING RANGES/LOAD CAPACITIES

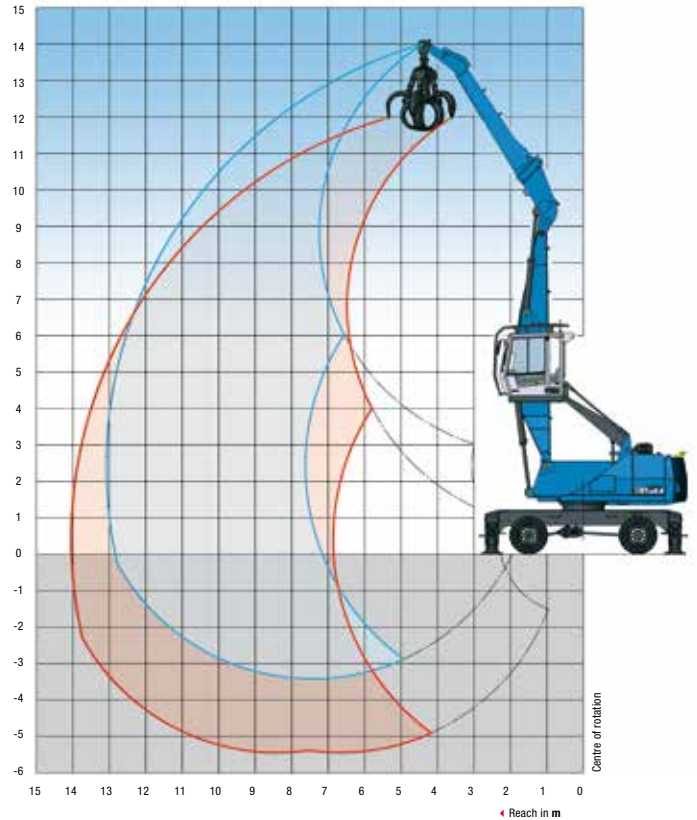
13 M REACH WITH DIPPERSTICK

| | |
|----------------|---|
| Loading system | Boom 6,4 m, Dipperstick 6,1 m, Cactus grab With Fuchs QuickConnect (FQC) |
|----------------|---|

RECOMMENDED ATTACHMENTS

| | |
|-------------------------------------|--|
| Terex® Fuchs cactus grab 0.6 m³ | Open or half-closed |
| Terex® Fuchs cactus grab 0.8 m³ | Open or half-closed |
| Terex® Fuchs magnetic plate MP 1250 | dia = 1250 mm with 20 kW magnet system |
| Clamshell grab 1.4 m³ | Density of materials handled up to 1.600 kg/m³ |
| Clamshell grab 2.0 m³ | Density of materials handled up to 800 kg/m³ |
| Lift hook | 10 t |

Load capacities are stated in tonnes (t). The pump pressure is 355 bar. The values, in accordance with ISO 10567, amount to 75% of the static tipping load or 87% of the hydraulic lifting force (marked *). They apply to slewing operations through 360° on a firm and level surface. Values in brackets apply to the longitudinal direction of the undercarriage. The "without stabilizers" values apply when the load is hoisted above the front or rear axle with the oscillating axle locked. The weight of the attached hoisting equipment (grab, lifting hook, etc.) must be deducted from the capacity values. In accordance with harmonised EU standard EN 474-5:2006, hose-rupture safety valves on the lift cylinders and an overload warning device are required for crane operations.

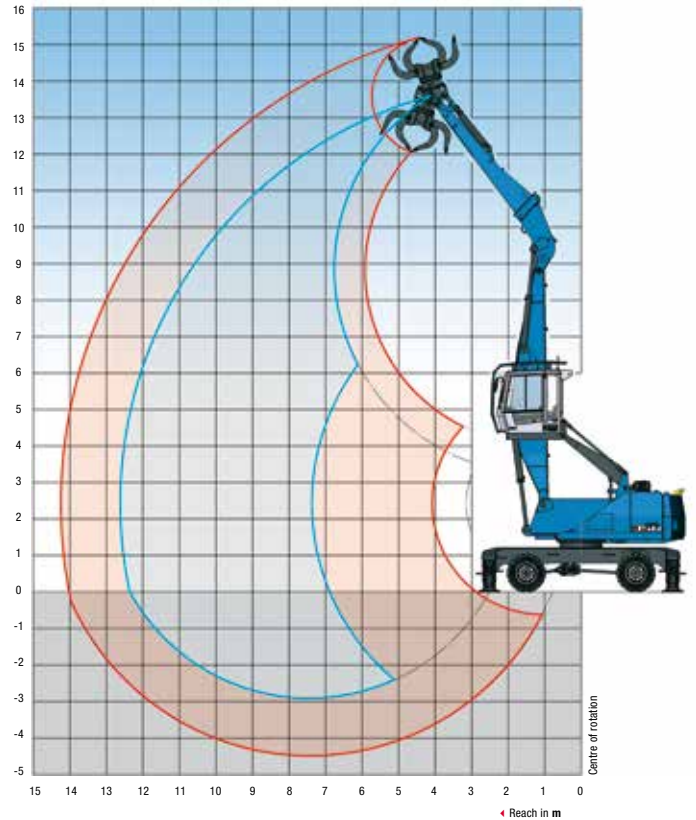


| HEIGHT m | UNDERCARRIAGE STABILISATION | Reach m | | | | | |
|-------------|--------------------------------|---------------|---------------|-------------|-------------|-------------|-------------|
| | | 4.5 | 6 | 7.5 | 9 | 10.5 | 12 |
| 13.5 | Without stabilizers | | (5.2*) | | | | |
| | With 4-pt stabilizers | | 5.2* (5.2*) | | | | |
| 12 | Without stabilizers | | | (5.6*) | | | |
| | With 4-pt stabilizers | | | 5.6* (5.6*) | | | |
| 10.5 | Without stabilizers | | | (6.6*) | (5.1) | | |
| | With 4-pt stabilizers | | | 6.6* (6.6*) | 5.3* (5.3*) | | |
| 9 | Without stabilizers | | | (7.1*) | (5.2) | (3.9) | |
| | With 4-pt stabilizers | | | 7.1* (7.1*) | 6.3* (6.3*) | 4.7* (4.7*) | |
| 7.5 | Without stabilizers | | | (7.2) | (5.2) | (3.9) | (2.9) |
| | With 4-pt stabilizers | | | 7.5* (7.5*) | 6.8* (6.8*) | 5.8* (5.8*) | 3.1* (3.1*) |
| 6 | Without stabilizers | | | (6.9) | (5.0) | (3.8) | (2.9) |
| | With 4-pt stabilizers | | | 7.8* (7.8*) | 6.9* (6.9*) | 6.2* (6.2*) | 4.5* (4.5*) |
| 4.5 | Without stabilizers | | (9.1*) | (6.6) | (4.8) | (3.7) | (2.8) |
| | With 4-pt stabilizers | | 9.1* (9.1*) | 8.4* (8.4*) | 7.2* (7.2*) | 6.0 (6.3*) | 4.8 (5.4*) |
| 3 | Without stabilizers | (12.9*) | (8.8) | (6.1) | (4.6) | (3.5) | (2.8) |
| | With 4-pt stabilizers | 12.9* (12.9*) | 11.4* (11.4*) | 9.1* (9.1*) | 7.5* (7.5*) | 5.9 (6.4*) | 4.7 (5.4*) |
| 1.5 | Without stabilizers | (12.3) | (8.0) | (5.7) | (4.3) | (3.3) | (2.7) |
| | With 4-pt stabilizers | 18.3* (18.3*) | 12.6* (12.6*) | 9.6* (9.6*) | 7.2 (7.8*) | 5.7 (6.4*) | 4.6 (5.4*) |
| 0 | Without stabilizers | (9.0*) | (7.3) | (5.3) | (4.1) | (3.2) | (2.6) |
| | With 4-pt stabilizers | 9.0* (9.0*) | 13.0* (13.0*) | 9.2 (9.8*) | 7.0 (7.7*) | 5.5 (6.2*) | 4.5 (4.9*) |
| -1.5 | Without stabilizers | (7.6*) | (7.0) | (5.1) | (3.9) | (3.1) | |
| | With 4-pt stabilizers | 7.6* (7.6*) | 12.3* (12.3*) | 9.0 (9.3*) | 6.8 (7.3*) | 5.5 (5.7*) | |
| -3 | Without stabilizers | | (6.8) | (5.0) | (3.9) | | |
| | With 4-pt stabilizers | | 10.6* (10.6*) | 8.2* (8.2*) | 6.3* (6.3*) | | |

12.5 M REACH WITH MULTI-PURPOSE STICK

| | |
|----------------|--|
| Loading system | Boom 6.5 m, Multi-purpose stick 5.6 m, Sorting grab With Fuchs QuickConnect (FQC) |
|----------------|--|

Load capacities are stated in tonnes (t). The pump pressure is 355 bar. The values, in accordance with ISO 10567, amount to 75% of the static tipping load or 87% of the hydraulic lifting force (marked *). They apply to slewing operations through 360° on a firm and level surface. Values in brackets apply to the longitudinal direction of the undercarriage. The "without stabilizers" values apply when the load is hoisted above the front or rear axle with the oscillating axle locked. The weight of the attached hoisting equipment (grab, lifting hook, etc.) must be deducted from the capacity values. In accordance with harmonised EU standard EN 474-5:2006, hose-rupture safety valves on the lift cylinders and an overload warning device are required for crane operations.



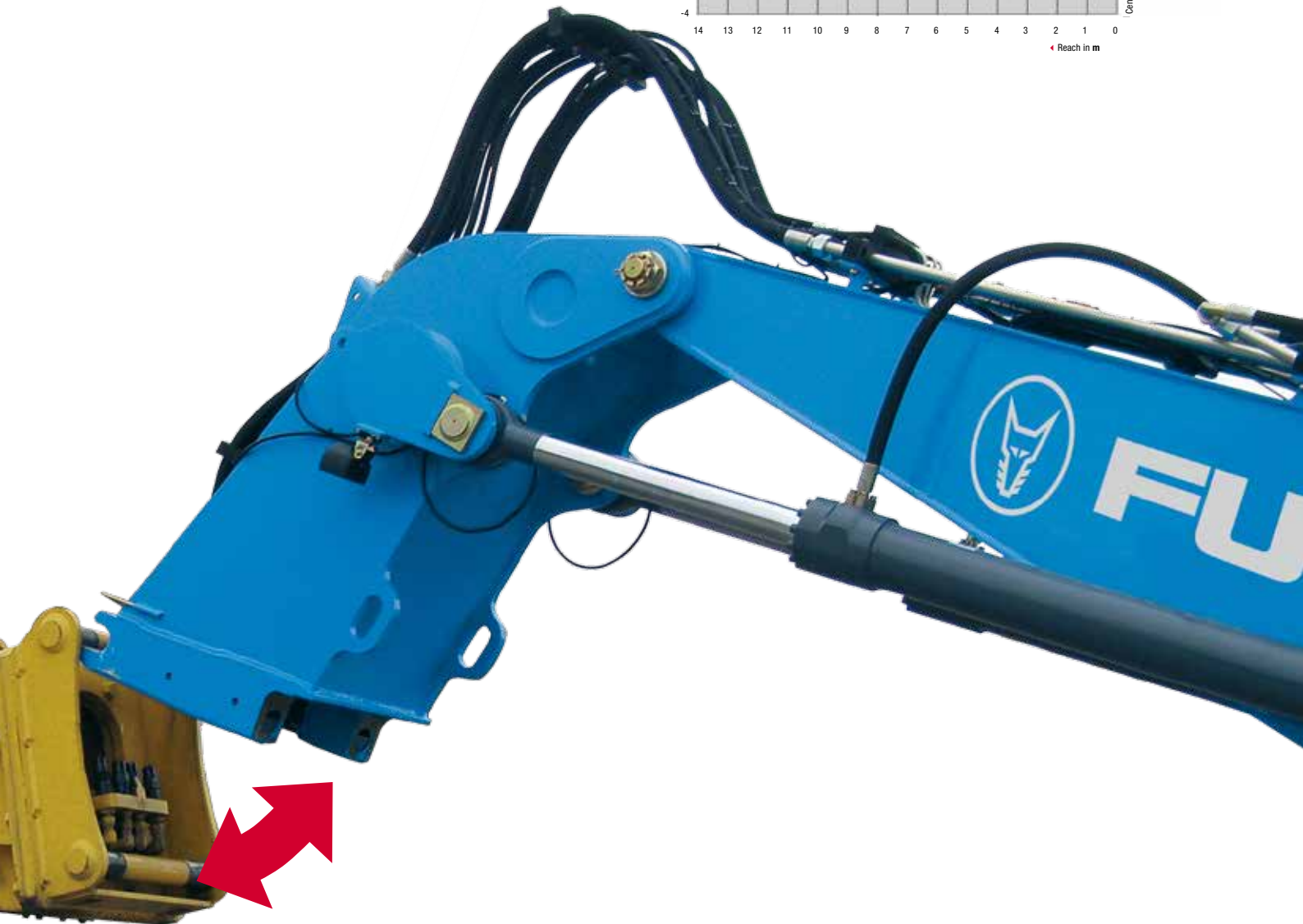
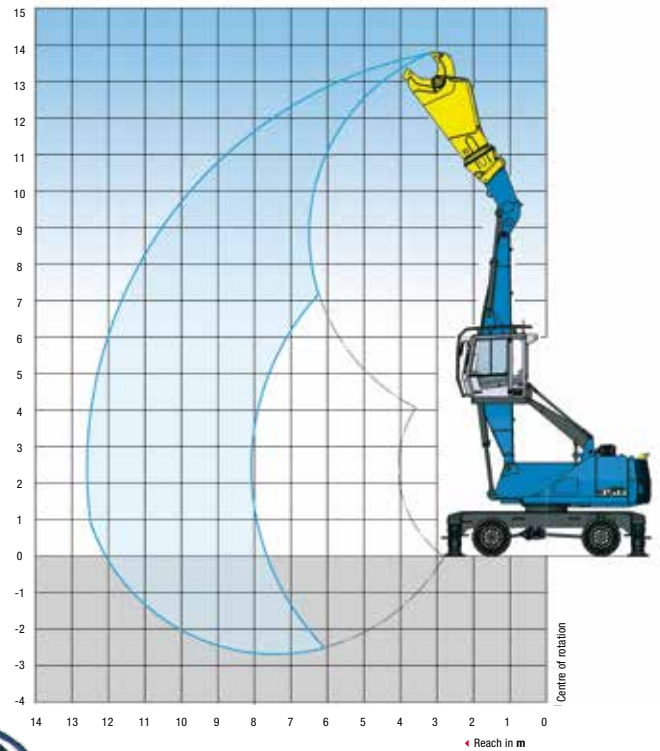
| HEIGHT m | UNDERCARRIAGE STABILISATION | Reach m | | | | | |
|-------------|--------------------------------|---------------|---------------|-------------|-------------|-------------|-------------|
| | | 4.5 | 6 | 7.5 | 9 | 10.5 | 12 |
| 13.5 | Without stabilizers | (6.4*) | | | | | |
| | With 4-pt stabilizers | 6.4* (6.4*) | | | | | |
| 12 | Without stabilizers | | (6.5*) | (4.3)* | | | |
| | With 4-pt stabilizers | | 6.5* (6.5*) | 4.3* (4.3*) | | | |
| 10.5 | Without stabilizers | | | (6.2)* | (4.2*) | | |
| | With 4-pt stabilizers | | | 6.2* (6.2*) | 4.2* (4.2*) | | |
| 9 | Without stabilizers | | | (6.6) | (4.6) | (3.2*) | |
| | With 4-pt stabilizers | | | 6.9* (6.9*) | 5.8* (5.8*) | 3.2* (3.2*) | |
| 7.5 | Without stabilizers | | | (6.5) | (4.6) | (3.4) | |
| | With 4-pt stabilizers | | | 7.2* (7.2*) | 6.4* (6.4*) | 5.0* (5.0*) | |
| 6 | Without stabilizers | | (8.2*) | (6.3) | (4.5) | (3.3) | (2.5) |
| | With 4-pt stabilizers | | 8.2* (8.2*) | 7.6* (7.6*) | 6.6* (6.6*) | 5.7* (5.8*) | 2.9* (2.9*) |
| 4.5 | Without stabilizers | | (8.8) | (6.0) | (4.3) | (3.2) | (2.4) |
| | With 4-pt stabilizers | | 10.0* (10.0*) | 8.2* (8.2*) | 6.9* (6.9*) | 5.5 (5.9*) | 4.2* (4.2*) |
| 3 | Without stabilizers | (13.2) | (8.1) | (5.6) | (4.1) | (3.1) | (2.4) |
| | With 4-pt stabilizers | 16.2* (16.2*) | 11.4* (11.4*) | 8.9* (8.9*) | 7.0 (7.2*) | 5.4 (6.0*) | 4.3 (4.9*) |
| 1.5 | Without stabilizers | (11.8) | (7.5) | (5.2) | (3.9) | (3.0) | (2.3) |
| | With 4-pt stabilizers | 15.5* (15.5*) | 12.5* (12.5*) | 9.2 (9.3*) | 6.8 (7.4*) | 5.3 (6.0*) | 4.2 (4.7*) |
| 0 | Without stabilizers | (7.0*) | (7.0) | (5.0) | (3.7) | (2.9) | (2.3) |
| | With 4-pt stabilizers | 7.0* (7.0*) | 12.7* (12.7*) | 8.9 (9.4*) | 6.6 (7.3*) | 5.2 (5.7*) | 4.1* (4.1*) |
| -1.5 | Without stabilizers | (6.7*) | (6.8) | (4.8) | (3.6) | (2.8) | |
| | With 4-pt stabilizers | 6.7* (6.7*) | 11.8* (11.8*) | 8.7 (8.8*) | 6.5 (6.7*) | 5.0* (5.0*) | |

12.5 M REACH WITH SCRAP SHEARS

| | |
|----------------|--|
| Loading system | Boom 6.4 m, Scrap shears GXP 400R, with Fuchs QuickConnect (FQC) |
|----------------|--|

GENESIS SCRAP SHEARS GXP 400R

| | |
|--|----------------|
| Cutting force | up to 6.770 kN |
| Jaw depth | 737 mm |
| Jaw opening | 711 mm |
| Weight (including quick change system) | 5.1 t |



TEREX® | FUCHS

RAPID TOOL CHANGE MADE EASY



The unique FUCHS QuickConnect system

Time is money – and with the FUCHS QuickConnect (FQC) system, you can reduce attachment-change downtime to a fraction of the usual cost. For example, in less than a minute you can switch from a multi-purpose stick/grab combination to a dipperstick with a magnet or scrap shears. Using leak-free quick couplers, attachments can be changed quickly and safely from inside the cab. For the operator, climbing in and out and removing and replacing bolts are now just things of the past.





FUCHS



MHL350 E



A history of great ideas – since 1888

Ever since the business was founded in 1888, the Fuchs name has signified a wealth of ideas and innovation. Whether developing the legendary Fuchs 301 cable excavator in 1957 or patenting the elevatable cab in 1975, pioneering technical advances have shaped the company's history right up to the present day, and helped Terex® Fuchs machines to win their reputation for top quality workmanship and endurance. Terex® Fuchs focuses its resources on clearly defined areas of application, offering high-performance materials handlers to the recycling, scrap handling, port and timber industries. This concentration on core sectors delivers important user benefits: instead of standard 'off-the-shelf' products, we provide tailored, highly customisable machine solutions, which can be adapted to the precise needs of the individual business.

The MHL350 E is an extremely robust, high-performance mobile materials handler, with a proven reputation as the ultimate scrapyard machine. New features and further technological advances have now further emphasised its leading position. Power has been increased, emissions minimised and fuel consumption reduced, and the machine already conforms to the TIER4i/IIIB standard. Optional equipment includes the FUCHS QuickConnect system for lightning-fast tool changes. The MHL350 embodies traditional Terex® Fuchs values: superb performance, outstanding efficiency, industry-leading standards of environmental protection and user-friendliness, all combined with top-class quality and durability.

Product range/Standard machines

| | MHL320 | MHL331 | MHL335 | MHL340 | MHL340 FQC | MHL350 | MHL350 FQC | MHL360 | MHL380 | MHL454 | MHL474 | |
|--|-------------|-------------|-------------|-------------|------------------------|-------------|------------------------|-------------|-------------|--------|-------------|-------------|
| | 85 kW | 114 kW | 114 kW | 128 kW | 128 kW | 160 kW | 160 kW | 190 kW | 273 kW | | 176 kW | 213 kW |
| | 8.2-10.4 m | 10.7-12.0 m | 10.7-12.0 m | 12.2-13.7 m | 11.0-11.2 m | 14.0-16.0 m | 12.5-13.0 m | 16.5-18.0 m | 18.5-22.0 m | | 9.8-10.85 m | 11.15 m |
| | 17.8-19.0 t | 22.0-23.5 t | 23.5-25.0 t | 27.5-29.0 t | 28.5-31.3 t | 33.0-35.5 t | 33.0-37.8 t | 43.5-48.8 t | 62.5-68.5 t | | 31.0-32.5 t | 41.5-44.0 t |
| | 0.4-0.6 m³ | 0.4-0.6 m³ | 0.4-0.8 m³ | 0.4-0.8 m³ | Attachments on request | 0.6-0.8 m³ | Attachments on request | 0.6-1.0 m³ | 1.0-1.4 m³ | | 1.7-2.5 m³ | 2.0-4.0 m³ |

www.terex-fuchs.com

Valid from: March 2012. Product specifications and prices are subject to change without notice or obligation. The photographs and/or drawings contained in this document are for illustrative purposes only. Please refer to the appropriate Operator's Manual for instructions on the proper use of this equipment. Failure to follow the appropriate Operator's Manual when using our equipment or to otherwise act irresponsibly may result in serious injury or death. The only warranty applicable to our equipment is the standard written warranty applicable to the particular product. Terex makes no other warranty, expressed or implied. Products and services listed may be trademarks, service marks or trading names of Terex Corporation and/or its subsidiaries in the USA and other countries. All rights reserved. Terex is a registered trademark of Terex Corporation in the United States of America and in many other countries. © Terex Corporation.

TEREX® | **FUCHS**

WORKS FOR YOU.™