

# TECHNICAL DATA

## MHL360 F | MHL360 F HD

### MATERIAL HANDLER



190 kW



43.5–50.2t



up to 18.0 m



# THE NEW F-SERIES. THE FUTURE OF MATERIAL HANDLING IS NOW.

**Brand new design meets brand new features.**

**Even more power. Even less consumption. The new MHL360 F Material Handler sets standards in modern technology with more sophisticated hydraulics, efficient energy recovery, and an exceptionally comfortable driver's cabin.**

Through a combination of power and low emissions, as well as the powerful yet sensitive hydraulics, demanding loading tasks can be completed efficiently. The MHL360 F Material Handler represents the

new generation of Terex® Fuchs loading machines. The new design with classic Fuchs-style elements combined with the latest technologies embodies the symbiosis of tradition, quality, and innovative spirit. The further-refined steel construction enables greater flexibility when choosing cabin lifting systems. More than ever the MHL360 F Material Handler is the symbol for economy and robustness for deployment in scrap yards and in port areas.



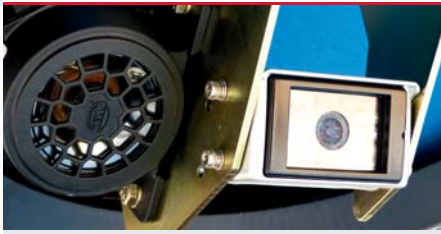
### Sensitive hydraulic and application-oriented kinematics concept for efficient power management

Power is important. What is even more important, is using that power efficiently and purposefully. This is where the interplay between the MHL360 F Material Handler's engine and hydraulics impresses with striking performance data, as well as speed, precision, and fuel efficiency. The dual-circuit hydraulic system holds the reserves necessary for achieving quick work cycles, even under heavy loads. The load-independent work movements can be performed jolt-free with the clever kinematics concept, just as extremely gentle yet highly precise maneuvers can be executed.



↑  
A powerhouse with range: up to 18 meters of outreach provides a huge working radius with a maximum carrying capacity of 24 t.

↑  
Distinctive rear: the classic Fuchs-style elements have been consistently carried over to the rear design. The result is unmistakable.



### Rear view camera and travel alarm

Standard camera (with night vision function) provides increased visibility capability under certain conditions. The optional travel alarm warns people close to the vehicle with an acoustic signal. This is activated automatically once the machine starts to drive.



### Ergonomic driver's seat Multi-position adjustment

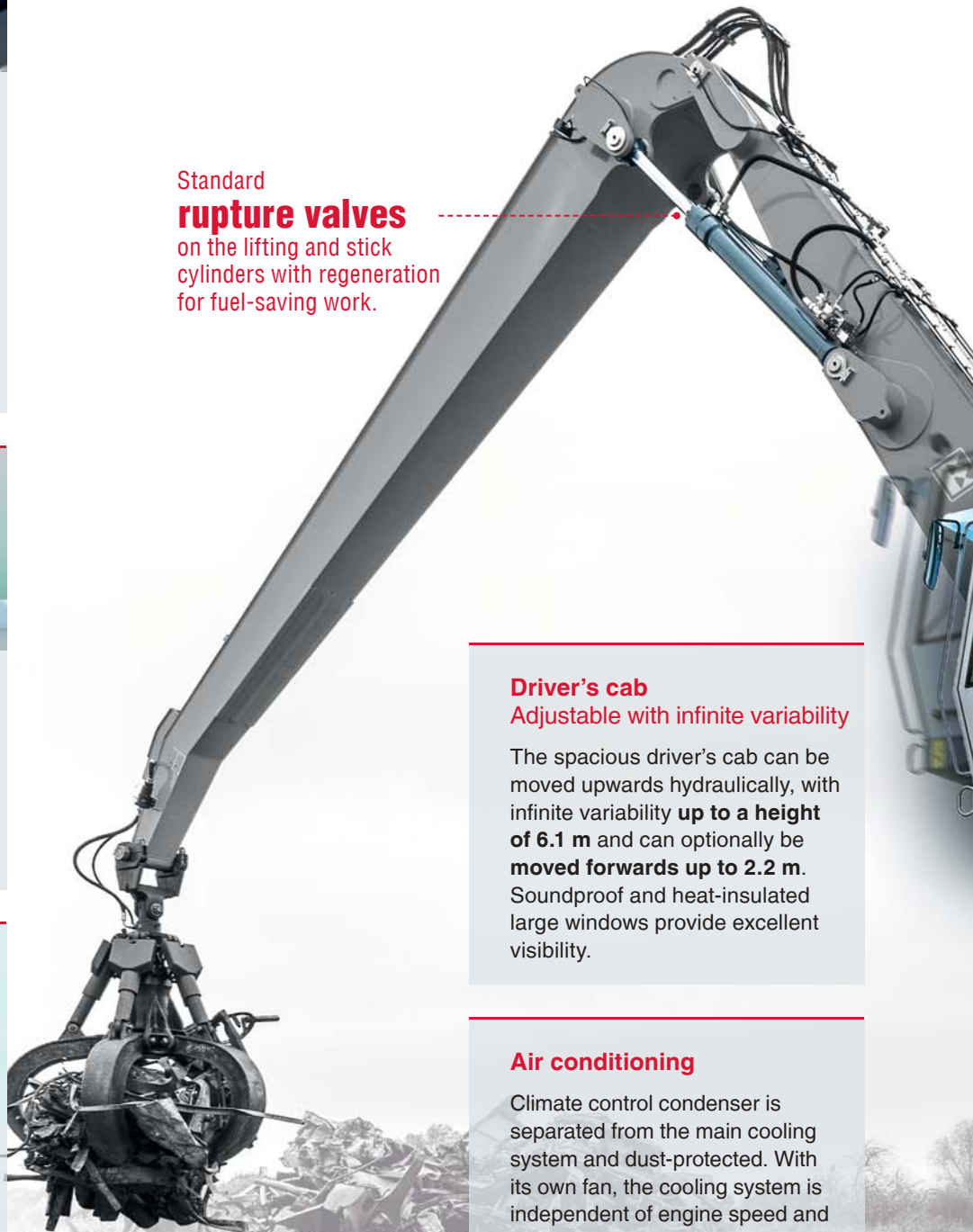
Flexible setting options, head and lower lumbar support provide comfortable working environment.



### 7" touch display With direct menu selection

The 7" graphical touch display also offers quick and clear illustrations of all displays. Simple menu navigation is provided directly through the display, which can be read without glare. The screen displays images of the integrated reversing camera and all important operating conditions, such as hydraulic oil temperature, coolant temperature, and much more. The display can be operated comfortably from the driver's seat.

### Standard rupture valves on the lifting and stick cylinders with regeneration for fuel-saving work.



### Driver's cab Adjustable with infinite variability

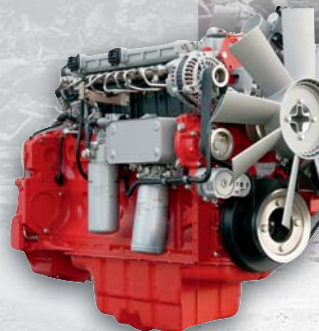
The spacious driver's cab can be moved upwards hydraulically, with infinite variability **up to a height of 6.1 m** and can optionally be **moved forwards up to 2.2 m**. Soundproof and heat-insulated large windows provide excellent visibility.

### Air conditioning

Climate control condenser is separated from the main cooling system and dust-protected. With its own fan, the cooling system is independent of engine speed and thus highly efficient.

### The core element: 190 kW diesel engine Extremely economical and up to 99% less diesel particles compared with the previous model

- ⊕ Lower fuel consumption
- ⊕ Optional automatic start / stop
- ⊕ Reduced exhaust emissions compared to Tier IV interim
- ⊕ Diesel particle filter and AdBlue injection
- ⊕ New multi-function button
- ⊕ Three new work modes: Eco Plus / Eco / Power
- ⊕ Proven and robust exhaust gas cleaning system (SCR)



# CONVENIENCE IN THE CABIN, POWER UNDER THE HOOD.

**Adjustable cabin provides flexibility and safety.**

**High performance with minimal consumption, extreme loading capacity, high speed.**

These properties distinguish the Terex® Fuchs MHL360 F Material Handler. When developing the new generation, we placed special attention on driving and driver enjoyment. In particular, the

overhauled hydraulics concept by every day operations offers more speed and efficiency. The driver controls this powerhouse securely and precisely in the comfort cab, which provides a pleasant and ergonomic working environment.

**190 kW** inside!  
**Most efficient consumption**  
in its class.

**-99%**  
diesel particles

**Deutz® diesel engine**  
With 190 kW power

Increased performance with lower fuel consumption – this combination pays off.



**MHL 360**

# TECHNICAL DATA

## SERVICE WEIGHT WITHOUT ATTACHMENT

MHL360 F	43.5–48.8 t
MHL360 F HD	44.9–50.2 t

## DIESEL ENGINE

Manufacturer and model	Deutz TCD 7.8 L6 4V
Design	6-cylinder inline
Engine control	EMR IV
Type	4-stroke diesel, common rail direct injection, turbocharger, controlled exhaust gas recirculation, diesel particulate filter with automatic regeneration and SCR-cat
Engine output	190 kW
Nominal speed	2000 min <sup>-1</sup>
Displacement	7.8 l
Cooling system	Combi-cooler (coolant/charge air) with fan speed control system; optional reversing function
Emission standard	Stage IV / EPA Tier 4 final
Air filter design	Two-stage filter with safety cartridge and pre-separator with discharge valve
Usable tank capacity	580 l diesel + 50 l Ad Blue

## ELECTRICAL SYSTEM

Generator	28 V / 100 A
Operating voltage 24 V	24 V
Battery	2 × 12 V / 110 Ah / 750 A
Lighting set	2 × H3 headlamps, turn indicators and tail lights
Option	20 kW or 30 kW DC generator with controls and insulation monitoring, driven by V-belt direct from diesel engine

## TRANSMISSION

Hydrostatic travel drive via infinitely variable axial piston motor with directly mounted travel brake valve, two-speed manual gearshift, 4-wheel drive	
Maximum speed 1st gear	max. 5 km/h
Maximum speed 2nd gear	max. 15 km/h
Gradeability	max. 30 %
Turning radius	8.0 m

## SLEWING GEAR

Swing gear	Internally toothed double-row ball ring gear
Drive	3-stage planetary gear with integrated multi-disc brake
Upper carriage swing speed	0–6 min <sup>-1</sup> infinitely variable
Swing brake	Electrically operated
Max. pivot torque	91 kNm

## UNDERCARRIAGE MHL360 F

Front axle	Planetary drive axle with integrated drum brake, rigidly mounted, max. steering angle 27°
Rear axle	Oscillating planetary drive rear axle with integrated drum brake and selectable oscillating axle lock
Stabilizers	4-point stabilizers
Tyres	Solid rubber, 8-ply 12.00-24

## UNDERCARRIAGE MHL360 F HD

Front axle	Planetary drive axle with integrated drum brake, rigidly mounted, max. steering angle 27°
Rear axle	Oscillating planetary drive rear axle with integrated drum brake and selectable oscillating axle lock
Stabilizers	4-point stabilizers
Tyres	Solid rubber tyres, 8-ply 12.00-24 Solid rubber tyres, 4-ply 16.00-25

## BRAKE SYSTEM

Service brake	Hydraulic single-circuit braking system, acting on all four wheel pairs
Parking brake	Electrically operated disc brake on transmission, acting on both front and rear axles

## HYDRAULIC SYSTEM

BOSCH-REXROTH mobile hydraulic system with load limit control and fuel-saving power demand control; closed swing circuit; hose rupture valves with regeneration on the lift and stick cylinders for fuel-efficient work	
Hydraulic oil filter	Integral return filter in oil tank for work hydraulics, with 3000 operating hrs service interval; oil filtration on closed swing circuit
Max. pump capacity	2 × 280 l/min & 1 × 140 l/min (for swing operation)
Max. operating pressure	320 / 360 bar
Hydraulic oil tank	535 l usable tank capacity

## OPERATOR CAB

Cab raising system	Infinitely variable hydraulically elevatable with max. eye level of 6.10 m (option: independent forward movement of up to 2.20 m); Sound-deadened; heat-insulated windows; windshield with pull-down sunblind that slides under the cab roof; viewing window on cab roof; sliding window in cab door; height and tilt-adjustable steering column
Heating	Infinitely variable heating with 3-speed fan, 6 adjustable defroster nozzles (hot water system)
Operator's seat	Air-cushioned comfort-seat with integrated headrest, safety belt and lumbar support, seat heating with integrated A/C function optional. Comfortable operation with multi-purpose adjustment options for seat position, seat inclination, and seat cushion placement in relation to armrests and pilot control units
Monitoring	Ergonomic layout; anti-glare instrumentation. Multi-function display, automatic monitoring and recording of abnormal operating conditions (including all hydraulic oil filters, hydraulic oil temperature (cold/hot) – coolant temperature and charge air temperature – diesel particulate filter load), visual and audible warning indication with shutdown of pilot controls/engine power reduction. Diagnosis of individual sensors possible via the multifunction display. Rear view camera.
Air conditioning	Automatic
Acoustic power level	LW(A) = 102 dB(A) (guaranteed) in accordance with directive 2000/14/EC

## OFFICIAL HOMOLOGATION

Certified in accordance with CE regulations
---

# EQUIPMENT

ENGINE	STANDARD	OPTION
Exhaust gas turbocharger	●	
Charge air cooling	●	
Direct electronic fuel injection/common rail	●	
Automatic idle	●	
Engine preheating		●
Engine diagnostics interface	●	
System-controlled fan drive with fan speed monitoring	●	

UNDERCARRIAGE	STANDARD	OPTION
All-wheel drive with differential	●	
Drum brakes	●	
Rear axle oscillating lock	●	
2-speed powershift transmission	●	
4-point stabilizers	●	
Stabilizer cylinders with integrated two-way check valves	●	
Piston rod protection on stabilizer cylinders	●	
Stabilizer plates 510 x 665 mm	●	
4-point stabilizers, individually controllable		●
Tool box	●	
Special paint (customer paint work)		●

UPPERCARRIAGE	STANDARD	OPTION
Separate cooling systems (combi-cooler for engine and hydraulic oil cooler)	●	
Cooling system fan speeds controlled by operating parameters	●	
Fan drive reversing function		●
Lockable maintenance hatches, with gas struts	●	
Automatic central lubrication system	●	
Rear view camera	●	
Travel alarm		●
Electric refuelling pump		●
Lighting protection		●
Special paint (customer paint work)		●
Cyclone prefilter		●

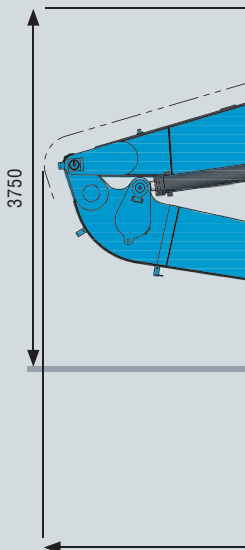
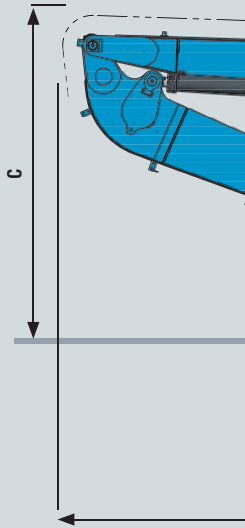
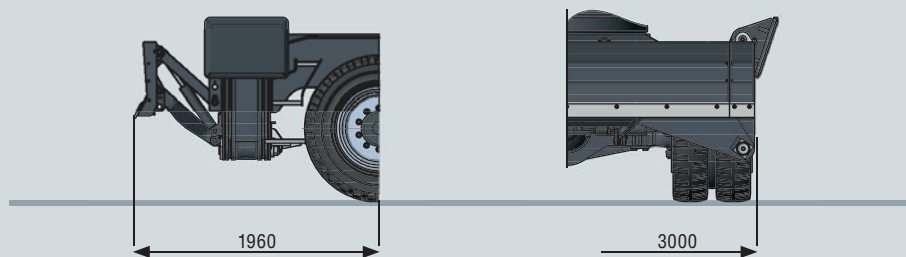
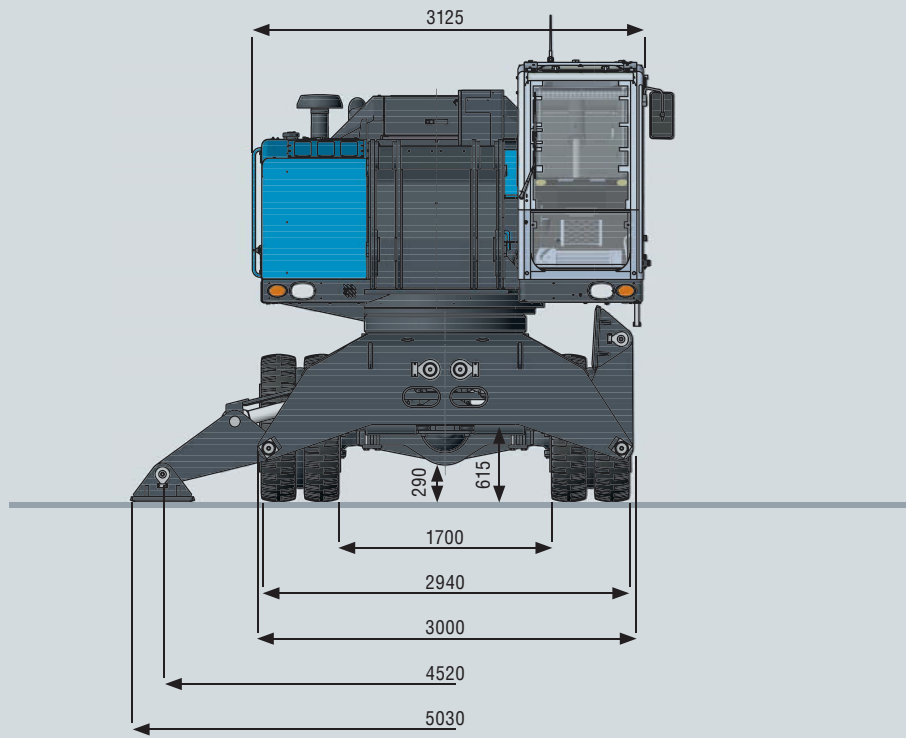
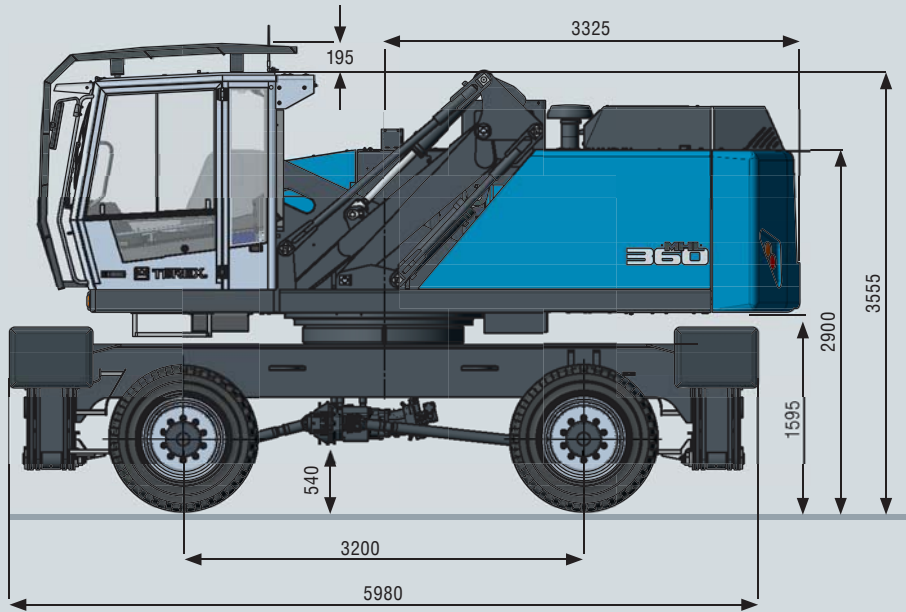
CAB	STANDARD	OPTION
Hydraulically adjustable cab	●	
Cab system horizontally and vertically adjustable		●
3-layer glass with protection film	●	
Hinged windscreen	●	
Sliding window in cab door	●	
Glazed roof panel	●	
Hinged roof opening	●	
Reinforced glass (windscreen and roof panel)		●
Windscreen washer system	●	
Windshield washer system (lower portion of windshield)		●
Air-cushioned operator seat with headrest, seatbelt, and lumbar support	●	
Seat heating with integrated A/C function		●
Steering column, height and tilt adjustable	●	
Automatic air conditioning system	●	
Independent heating system		●
Multi-function display	●	
Document clip	●	
Protective grilles to front and roof		●
12V transformer		●
Radio CD & USB		●
12V power outlet		●
Fire extinguisher, dry powder		●
Rotating beacon		●

EQUIPMENT	STANDARD	OPTION
20 kW DC generator with controls and insulation monitoring		●
30 kW DC generator with controls and insulation monitoring		●
Close proximity range limiter for dipperstick	●	
Coolant and hydraulic oil level monitoring system	●	
Filter system for attachments		●
Hose rupture valve for boom cylinder	●	
Hose rupture valve for stick cylinder	●	
Overload warning device		●
Quick coupling on dipperstick	●	
Dipperstick impact protection		●
Active cyclone prefilter (TOP AIR)		●
Hydraulic oil preheating 230 V		●
Float switch		●
Joystick steering		●
Lubrication of the grab suspension by central lubrication system	●	
H3 front headlights	●	
Light packages H3 or LED		●
Terex® Fuchs Telematics System		●

Further optional equipment available on request!

# DIMENSIONS MHL360 F

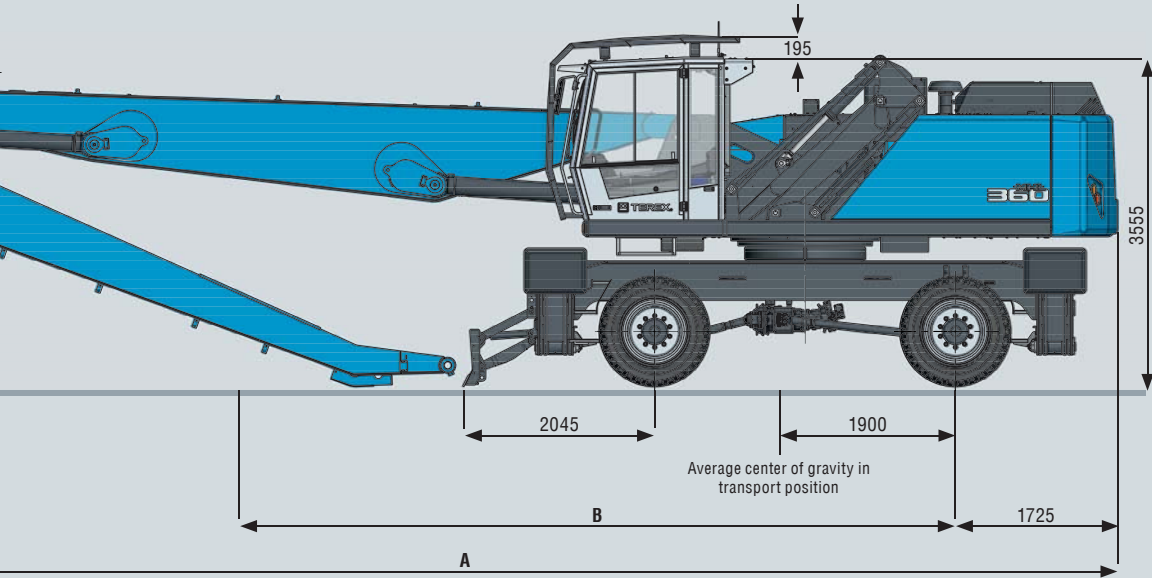
All dimensions in mm





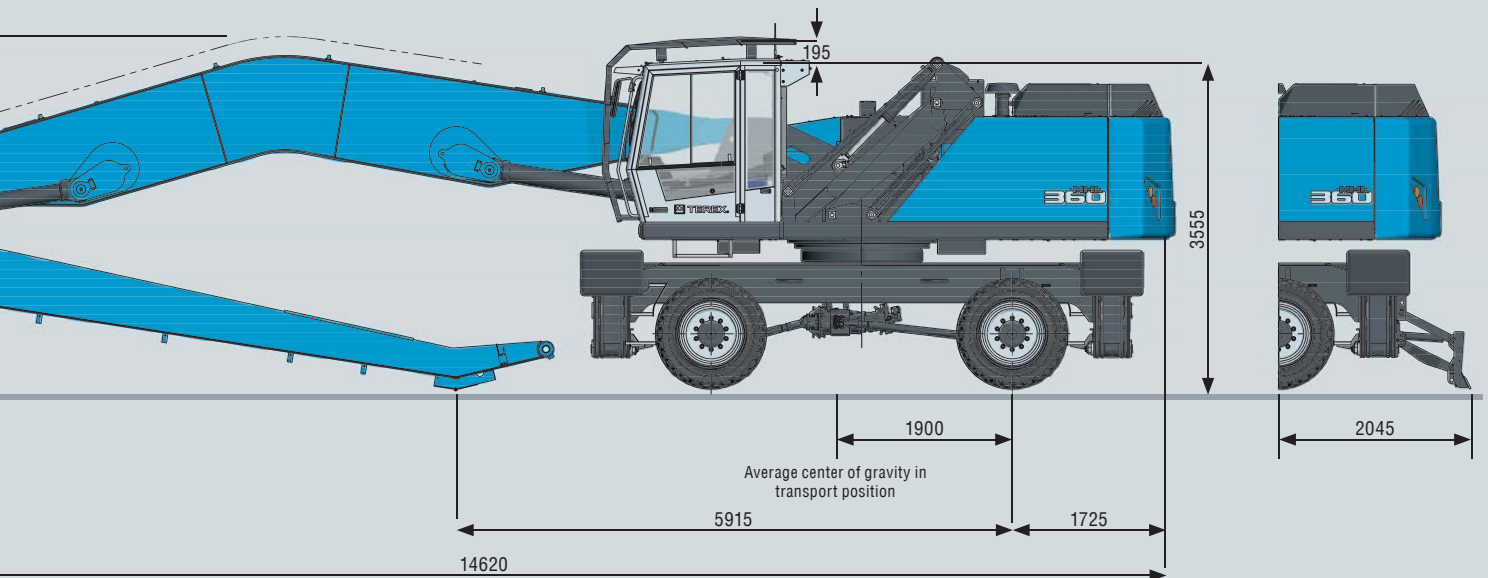
# TRANSPORT DIMENSIONS MHL360 F

With dipper stick | All dimensions in mm



Dimensions	Reach 16.5 m	Reach 18.0 m
A	13,840	14,625
B	6,375	6,400
C	3,400	3,670

Reach 18.0 m, cranked | All dimensions in mm



# WORKING RANGES / CARRYING CAPACITY

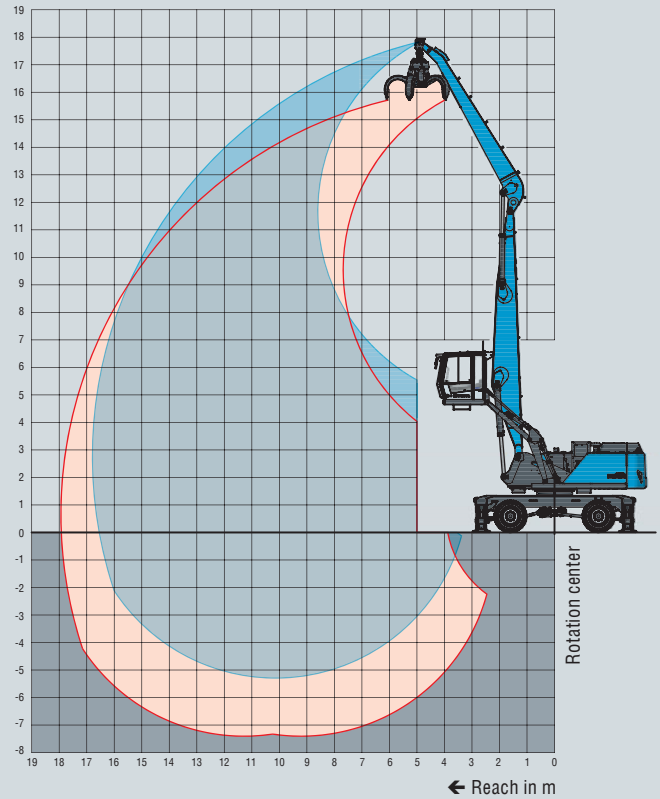
## REACH 16.5 M WITH DIPPER STICK

Loading equipment	Boom 8.9 m
	Dipper stick 7.0 m
	Cactus grab 0.8 m³ open

## RECOMMENDED ATTACHMENTS

Terex® Fuchs cactus grab 0.6 m³	Open or half-closed
Terex® Fuchs cactus grab 0.8 m³	Open or half-closed
Terex® Fuchs magnetic plate MP 1350	dia = 1350 mm with 30 kW magnet system
Clamshell grab 1.4 m³	Density of materials handled up to 1,600 kg/m³
Clamshell grab 2.0 m³	Density of materials handled up to 800 kg/m³
Lift hook	20 t

The lift capacity values are stated in metric tons (t). The pump pressure is 360 bar. In accordance with ISO 10567 the lift capacity values represents 75% of the static tipping loads or 87% of the hydraulic lifting force (marked °). On solid and level ground the values apply to a swing range of 360°. The (...) values apply in the longitudinal direction of the undercarriage. The values for "not supported" only apply via the steering axle or the locked oscillating axle. The weights of the attached load hoisting equipment (grab, load hook, etc.) must be deducted from the lift capacity values. The working load of the lifting device must be observed. In accordance with the EN 474-5 for object handling application hose rupture valves on the boom and stick cylinders, an overload warning device and the lift capacity table in the cab are required. For object handling application the machine has to be supported on a level ground.



Height [m]	Undercarriage outrigger	Reach [m]									
		4.5	6	7.5	9	10.5	12	13.5	15	16.5	
15	not supported				(8.4°)	(5.8°)					
	4-point supported				8.4° (8.4°)	5.8° (5.8°)					
13.5	not supported				(8.7)	(6.7)	(5.2)				
	4-point supported				9.3° (9.3°)	8.3° (8.3°)	5.8° (5.8°)				
12	not supported				(8.8)	(6.8)	(5.3)	(4.2)			
	4-point supported				9.2° (9.2°)	8.2° (8.2°)	7.5° (7.5°)	5.0° (5.0°)			
10.5	not supported				(8.8)	(6.8)	(5.3)	(4.3)			
	4-point supported				9.2° (9.2°)	8.2° (8.2°)	7.4° (7.4°)	6.5 (6.7°)			
9	not supported				(8.6)	(6.7)	(5.3)	(4.3)	(3.4)		
	4-point supported				9.4° (9.4°)	8.3° (8.3°)	7.5° (7.5°)	6.4 (6.7°)	5.3 (5.6°)		
7.5	not supported			(11.2°)	(8.4)	(6.5)	(5.2)	(4.2)	(3.4)		
	4-point supported			11.2° (11.2°)	9.7° (9.7°)	8.5° (8.5°)	7.6° (7.6°)	6.4 (6.8°)	5.3 (6.0°)		
6	not supported		(14.8°)	(10.6)	(8.0)	(6.2)	(5.0)	(4.1)	(3.4)		
	4-point supported		14.8° (14.8°)	12.2° (12.2°)	10.2° (10.2°)	8.8° (8.8°)	7.6 (7.7°)	6.3 (6.8°)	5.2 (6.0°)		
4.5	not supported	(17.0)	(13.8)	(9.9)	(7.5)	(5.9)	(4.8)	(3.9)	(3.3)	(2.7)	
	4-point supported	24.0° (24.0°)	17.0° (17.0°)	13.1° (13.1°)	10.7° (10.7°)	9.0° (9.0°)	7.4 (7.8°)	6.1 (6.8°)	5.2 (6.0°)	4.4 (4.8°)	
3	not supported		(12.3)	(9.0)	(7.0)	(5.6)	(4.6)	(3.8)	(3.2)	(2.7)	
	4-point supported		18.4° (18.4°)	13.8° (13.8°)	10.9° (10.9°)	8.7 (9.2°)	7.1 (7.9°)	6.0 (6.8°)	5.1 (5.8°)	4.4 (4.8°)	
1.5	not supported		(11.1)	(8.3)	(6.5)	(5.3)	(4.4)	(3.7)	(3.1)	(2.7)	
	4-point supported		12.2° (12.2°)	13.6 (14.0°)	10.4 (11.2°)	8.4 (9.2°)	6.9 (7.8°)	5.8 (6.7°)	5.0 (5.6°)	4.3 (4.4°)	
0	not supported		(9.1°)	(7.8)	(6.2)	(5.0)	(4.2)	(3.5)	(3.0)	(2.7)	
	4-point supported		9.1° (9.1°)	13.0 (13.6°)	10.0 (10.9°)	8.1 (9.0°)	6.7 (7.5°)	5.7 (6.4°)	4.9 (5.2°)	3.8° (3.8°)	
-1.5	not supported		(8.9°)	(7.5)	(6.0)	(4.9)	(4.1)	(3.5)	(3.0)		
	4-point supported		8.9° (8.9°)	12.6° (12.6°)	9.8 (10.2°)	7.9 (8.5°)	6.6 (7.0°)	5.6 (5.8°)	4.6° (4.6°)		
-3	not supported		(9.6°)	(7.4)	(5.8)	(4.8)	(4.0)	(3.4)	(3.0)		
	4-point supported		9.6° (9.6°)	10.9° (10.9°)	9.1° (9.1°)	7.5° (7.5°)	6.2° (6.2°)	5.0° (5.0°)	3.6° (3.6°)		
-4.5	not supported			(7.5)	(5.8)	(4.8)	(4.0)				
	4-point supported			8.7° (8.7°)	7.4° (7.4°)	6.2° (6.2°)	5.0° (5.0°)				
<b>Max. Reach 16.8 m</b>											
-2.7	not supported										(2.6)
	4-point supported										4.0° (4.0°)

# WORKING RANGES / CARRYING CAPACITY

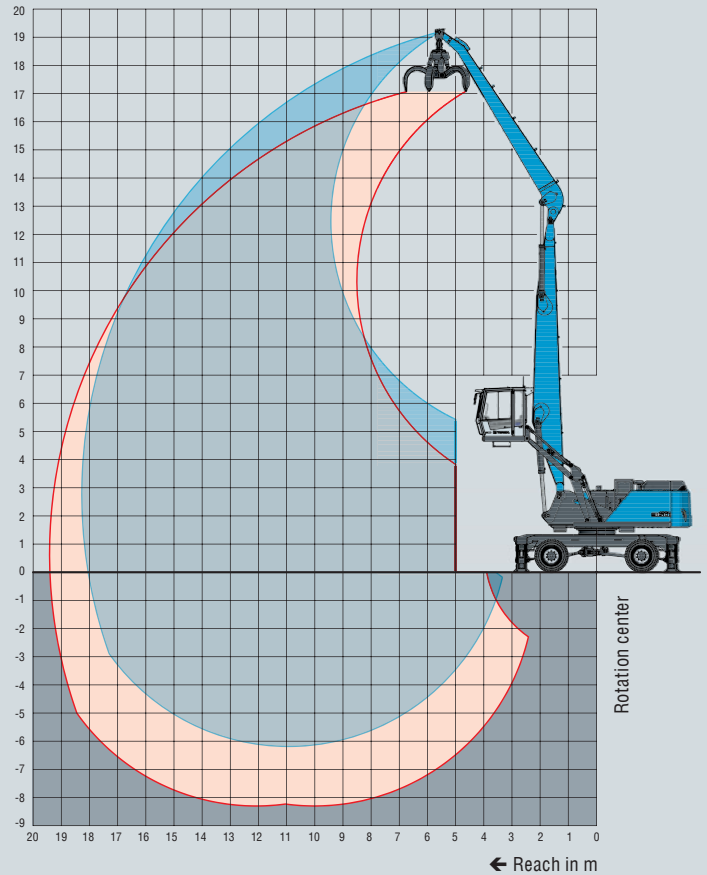
## REACH 18.0 M WITH DIPPER STICK

<b>Loading equipment</b>	Boom 9.7 m Dipper stick 7.8 m Cactus grab 0.8 m <sup>3</sup> open
--------------------------	---

## RECOMMENDED ATTACHMENTS

<b>Terex® Fuchs cactus grab 0.6 m<sup>3</sup></b>	Open or half-closed
<b>Terex® Fuchs cactus grab 0.8 m<sup>3</sup></b>	Open or half-closed
<b>Terex® Fuchs magnetic plate MP 1350</b>	dia = 1350 mm with 30 kW magnet system
<b>Clamshell grab 1.4 m<sup>3</sup></b>	Density of materials handled up to 1,600 kg/m <sup>3</sup>
<b>Clamshell grab 2.0 m<sup>3</sup></b>	Density of materials handled up to 800 kg/m <sup>3</sup>
<b>Lift hook</b>	20 t

The lift capacity values are stated in metric tons (t). The pump pressure is 360 bar. In accordance with ISO 10567 the lift capacity values represents 75% of the static tipping loads or 87% of the hydraulic lifting force (marked °). On solid and level ground the values apply to a swing range of 360°. The (...) values apply in the longitudinal direction of the undercarriage. The values for "not supported" only apply via the steering axle or the locked oscillating axle. The weights of the attached load hoisting equipment (grab, load hook, etc.) must be deducted from the lift capacity values. The working load of the lifting device must be observed. In accordance with the EN 474-5 for object handling application hose rupture valves on the boom and stick cylinders, an overload warning device and the lift capacity table in the cab are required. For object handling application the machine has to be supported on a level ground.



Height [m]	Undercarriage outrigger	Reach [m]												
		4.5	6	7.5	9	10.5	12	13.5	15	16.5	18			
15	not supported					(8.8°)	(6.8)	(5.3)						
	4-point supported					8.8° (8.8°)	7.9° (7.9°)	6.3° (6.3°)						
13.5	not supported						(7.0)	(5.5)	(4.3)					
	4-point supported						7.7° (7.7°)	7.0° (7.0°)	5.9° (5.9°)					
12	not supported						(7.0)	(5.5)	(4.4)	(3.5)				
	4-point supported						7.7° (7.7°)	6.9° (6.9°)	6.3° (6.3°)	5.1° (5.1°)				
10.5	not supported						(6.9)	(5.4)	(4.4)	(3.5)				
	4-point supported						7.7° (7.7°)	6.9° (6.9°)	6.3° (6.3°)	5.4 (5.7°)				
9	not supported					(8.8)	(6.7)	(5.3)	(4.3)	(3.5)	(2.8)			
	4-point supported					9.0° (9.0°)	7.9° (7.9°)	7.0° (7.0°)	6.3° (6.3°)	5.4 (5.7°)	4.5 (5.1°)			
7.5	not supported					(8.4)	(6.5)	(5.2)	(4.2)	(3.4)	(2.8)			
	4-point supported					9.3° (9.3°)	8.1° (8.1°)	7.2° (7.2°)	6.4° (6.4°)	5.3 (5.7°)	4.5 (5.1°)			
6	not supported				(10.7)	(8.0)	(6.2)	(4.9)	(4.0)	(3.3)	(2.7)			
	4-point supported				11.8° (11.8°)	9.8° (9.8°)	8.4° (8.4°)	7.3° (7.3°)	6.2 (6.5°)	5.2 (5.7°)	4.4 (5.1°)			
4.5	not supported	(17.0)	(13.7)	(9.8)	(7.4)	(5.8)	(4.7)	(3.9)	(3.2)	(2.7)	(2.2)			
	4-point supported	22.0° (22.0°)	16.5° (16.5°)	12.6° (12.6°)	10.3° (10.3°)	8.6° (8.6°)	7.3 (7.4°)	6.0 (6.5°)	5.1 (5.7°)	4.4 (5.0°)	3.7 (4.2°)			
3	not supported		(12.0)	(8.8)	(6.8)	(5.4)	(4.4)	(3.7)	(3.1)	(2.6)	(2.2)			
	4-point supported		17.8° (17.8°)	13.3° (13.3°)	10.6° (10.6°)	8.6 (8.8°)	7.0 (7.5°)	5.9 (6.5°)	5.0 (5.7°)	4.3 (4.9°)	3.7 (4.0°)			
1.5	not supported		(9.1°)	(8.0)	(6.3)	(5.1)	(4.2)	(3.5)	(3.0)	(2.5)	(2.2)			
	4-point supported		9.1° (9.1°)	13.2 (13.5°)	10.2 (10.7°)	8.2 (8.8°)	6.7 (7.5°)	5.7 (6.4°)	4.8 (5.5°)	4.2 (4.7°)	3.7° (3.7°)			
0	not supported		(6.9°)	(7.4)	(5.9)	(4.8)	(4.0)	(3.3)	(2.9)	(2.5)	(2.1)			
	4-point supported		6.9° (6.9°)	12.6 (13.1°)	9.7 (10.5°)	7.9 (8.7°)	6.5 (7.3°)	5.5 (6.2°)	4.7 (5.3°)	4.1 (4.4°)	3.3° (3.3°)			
-1.5	not supported		(6.9°)	(7.1)	(5.6)	(4.6)	(3.8)	(3.2)	(2.8)	(2.4)				
	4-point supported		6.9° (6.9°)	12.1° (12.1°)	9.4 (9.9°)	7.6 (8.2°)	6.4 (6.9°)	5.4 (5.8°)	4.7 (4.9°)	3.9° (3.9°)				
-3	not supported		(7.5°)	(6.9)	(5.4)	(4.4)	(3.7)	(3.2)	(2.7)	(2.4)				
	4-point supported		7.5° (7.5°)	10.7° (10.7°)	8.9° (8.9°)	7.5° (7.5°)	6.2° (6.2°)	5.3° (5.3°)	4.3° (4.3°)	3.2° (3.2°)				
-4.5	not supported				(6.9)	(5.4)	(4.4)	(3.7)	(3.1)	(2.7)				
	4-point supported				8.8° (8.8°)	7.6° (7.6°)	6.4° (6.4°)	5.4° (5.4°)	4.4° (4.4°)	3.4° (3.4°)				
-6	not supported						(4.4)	(3.7)						
	4-point supported						5.0° (5.0°)	4.1° (4.1°)						
											<b>Max. Reach 18.3 m</b>			
-2.7	not supported													(2.1)
	4-point supported													3.6 (3.8°)

# WORKING RANGES / CARRYING CAPACITY

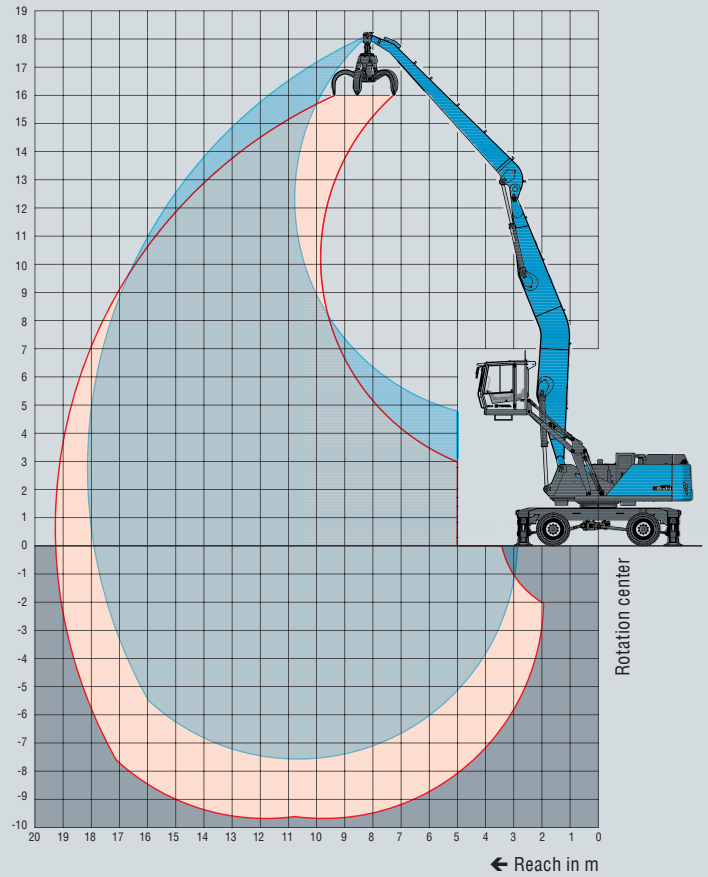
## REACH 18.0 M CRANKED

<b>Loading equipment</b>	Boom 9.7 m, cranked Dipper stick 7.8 m Cactus grab 0.8 m <sup>3</sup> open
--------------------------	--

## RECOMMENDED ATTACHMENTS

<b>Terex® Fuchs cactus grab 0.6 m<sup>3</sup></b>	Open or half-closed
<b>Terex® Fuchs cactus grab 0.8 m<sup>3</sup></b>	Open or half-closed
<b>Terex® Fuchs magnetic plate MP 1350</b>	dia = 1350 mm with 30 kW magnet system
<b>Clamshell grab 1.4 m<sup>3</sup></b>	Density of materials handled up to 1,600 kg/m <sup>3</sup>
<b>Clamshell grab 2.0 m<sup>3</sup></b>	Density of materials handled up to 800 kg/m <sup>3</sup>
<b>Lift hook</b>	20 t

The lift capacity values are stated in metric tons (t). The pump pressure is 360 bar. In accordance with ISO 10567 the lift capacity values represents 75% of the static tipping loads or 87% of the hydraulic lifting force (marked °). On solid and level ground the values apply to a swing range of 360°. The (...) values apply in the longitudinal direction of the undercarriage. The values for "not supported" only apply via the steering axle or the locked oscillating axle. The weights of the attached load hoisting equipment (grab, load hock, etc.) must be deducted from the lift capacity values. The working load of the lifting device must be observed. In accordance with the EN 474-5 for object handling application hose rupture valves on the boom and stick cylinders, an overload warning device and the lift capacity table in the cab are required. For object handling application the machine has to be supported on a level ground.



Height [m]	Undercarriage outrigger	Reach [m]											
		4.5	6	7.5	9	10.5	12	13.5	15	16.5	18		
15	not supported					(6,5°)	(5,3)						
	4-point supported					6,5° (6,5°)	5,5° (5,5°)						
13.5	not supported						(5,4)	(4,2)					
	4-point supported						5,9° (5,9°)	5,2° (5,2°)					
12	not supported						(5,5)	(4,3)	(3,4)				
	4-point supported						5,8° (5,8°)	5,4° (5,4°)	4,4° (4,4°)				
10.5	not supported						(5,4)	(4,3)	(3,4)				
	4-point supported						5,9° (5,9°)	5,4° (5,4°)	5,0° (5,0°)				
9	not supported					(6,6°)	(5,3)	(4,2)	(3,4)	(2,7)			
	4-point supported					6,6° (6,6°)	6,0° (6,0°)	5,5° (5,5°)	5,1° (5,1°)	4,4° (4,4°)			
7.5	not supported					(6,5)	(5,1)	(4,1)	(3,3)	(2,7)			
	4-point supported					6,8° (6,8°)	6,1° (6,1°)	5,6° (5,6°)	5,1° (5,1°)	4,4 (4,7°)			
6	not supported				(7,9)	(6,1)	(4,9)	(3,9)	(3,2)	(2,7)			
	4-point supported				8,3° (8,3°)	7,2° (7,2°)	6,4° (6,4°)	5,7° (5,7°)	5,1° (5,1°)	4,3 (4,7°)			
4.5	not supported	(17,0)	(13,7)	(9,7)	(7,3)	(5,7)	(4,6)	(3,8)	(3,1)	(2,6)	(2,1)		
	4-point supported	20,0° (20,0°)	14,0° (14,0°)	10,8° (10,8°)	8,9° (8,9°)	7,6° (7,6°)	6,6° (6,6°)	5,9° (5,9°)	5,0 (5,2°)	4,3 (4,7°)	3,6° (3,6°)		
3	not supported		(11,8)	(8,7)	(6,7)	(5,3)	(4,3)	(3,6)	(3,0)	(2,5)	(2,1)		
	4-point supported		15,7° (15,7°)	11,7° (11,7°)	9,4° (9,4°)	7,9° (7,9°)	6,8° (6,8°)	5,8 (6,0°)	4,9 (5,3°)	4,2 (4,7°)	3,6 (4,0°)		
1.5	not supported		(10,4)	(7,8)	(6,1)	(4,9)	(4,1)	(3,4)	(2,8)	(2,4)	(2,1)		
	4-point supported		10,6° (10,6°)	12,4° (12,4°)	9,8° (9,8°)	8,0° (8,0°)	6,6 (6,9°)	5,6 (6,0°)	4,7 (5,3°)	4,1 (4,7°)	3,6 (4,0°)		
0	not supported		(7,8°)	(7,2)	(5,7)	(4,6)	(3,8)	(3,2)	(2,7)	(2,3)			
	4-point supported		7,8° (7,8°)	12,3 (12,6°)	9,6 (10,0°)	7,7 (8,2°)	6,4 (7,0°)	5,4 (6,0°)	4,6 (5,2°)	4,0 (4,5°)			
-1.5	not supported		(7,6°)	(6,8)	(5,4)	(4,4)	(3,7)	(3,1)	(2,7)	(2,3)			
	4-point supported		7,6° (7,6°)	11,9 (12,3°)	9,2 (9,9°)	7,5 (8,1°)	6,2 (6,9°)	5,3 (5,9°)	4,5 (5,1°)	4,0 (4,3°)			
-3	not supported		(7,9°)	(6,6)	(5,2)	(4,2)	(3,6)	(3,0)	(2,6)	(2,3)			
	4-point supported		7,9° (7,9°)	11,6° (11,6°)	9,0 (9,4°)	7,3 (7,8°)	6,1 (6,6°)	5,2 (5,6°)	4,5 (4,7°)	3,9° (3,9°)			
-4.5	not supported		(8,6°)	(6,6)	(5,1)	(4,2)	(3,5)	(3,0)	(2,6)	(2,3)			
	4-point supported		8,6° (8,6°)	10,4° (10,4°)	8,6° (8,6°)	7,2° (7,2°)	6,0° (6,0°)	5,1° (5,1°)	4,2° (4,2°)				
0	not supported		(9,3°)	(6,7)	(5,2)	(4,2)	(3,5)	(3,0)	(2,7)				
	4-point supported		9,3° (9,3°)	8,9° (8,9°)	7,5° (7,5°)	6,3° (6,3°)	5,3° (5,3°)	4,4° (4,4°)	3,3° (3,3°)				
											<b>Max. Reach 18.1 m</b>		
-2.7	not supported											(2,0)	
	4-point supported											3,5° (3,5°)	

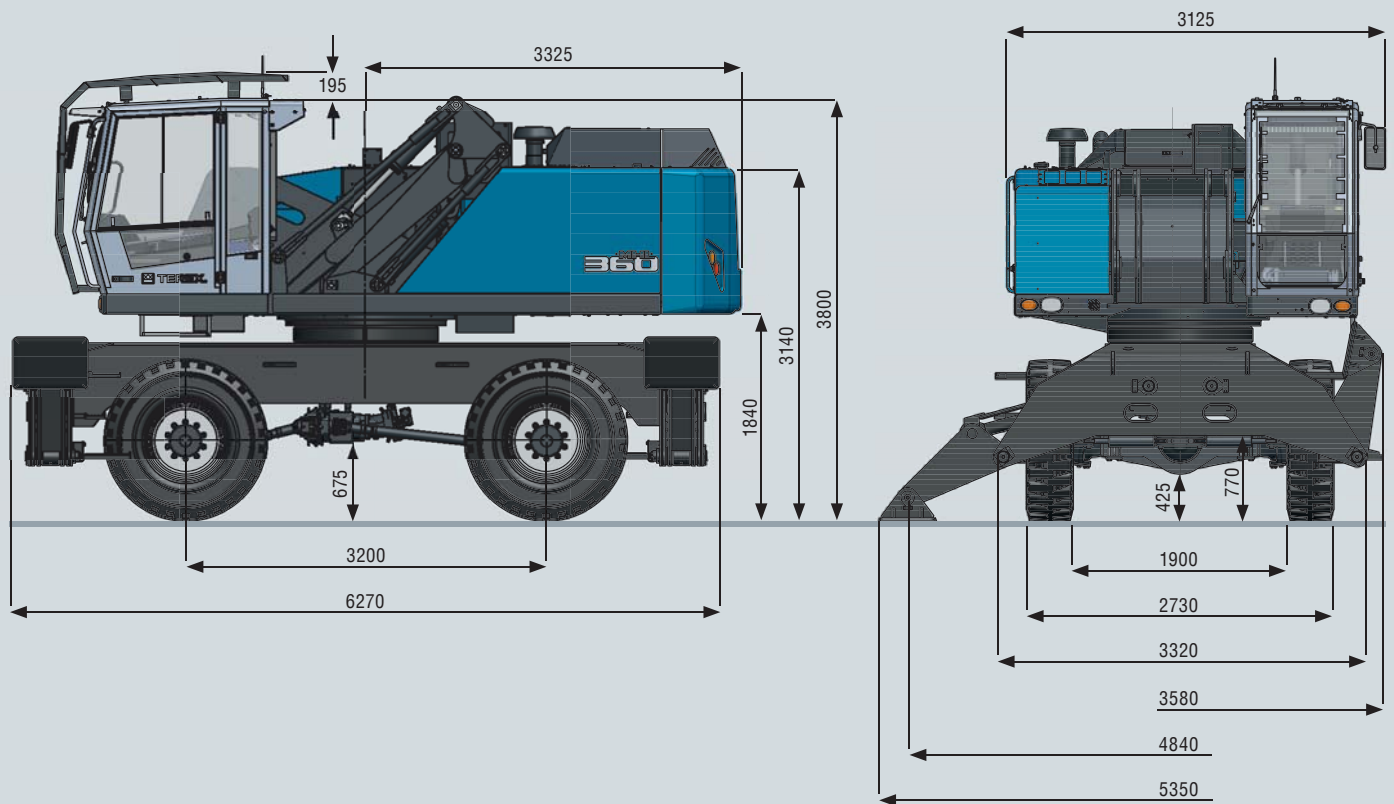
# MHL360 F HD MATERIAL HANDLER

**The undercarriage makes the difference.**

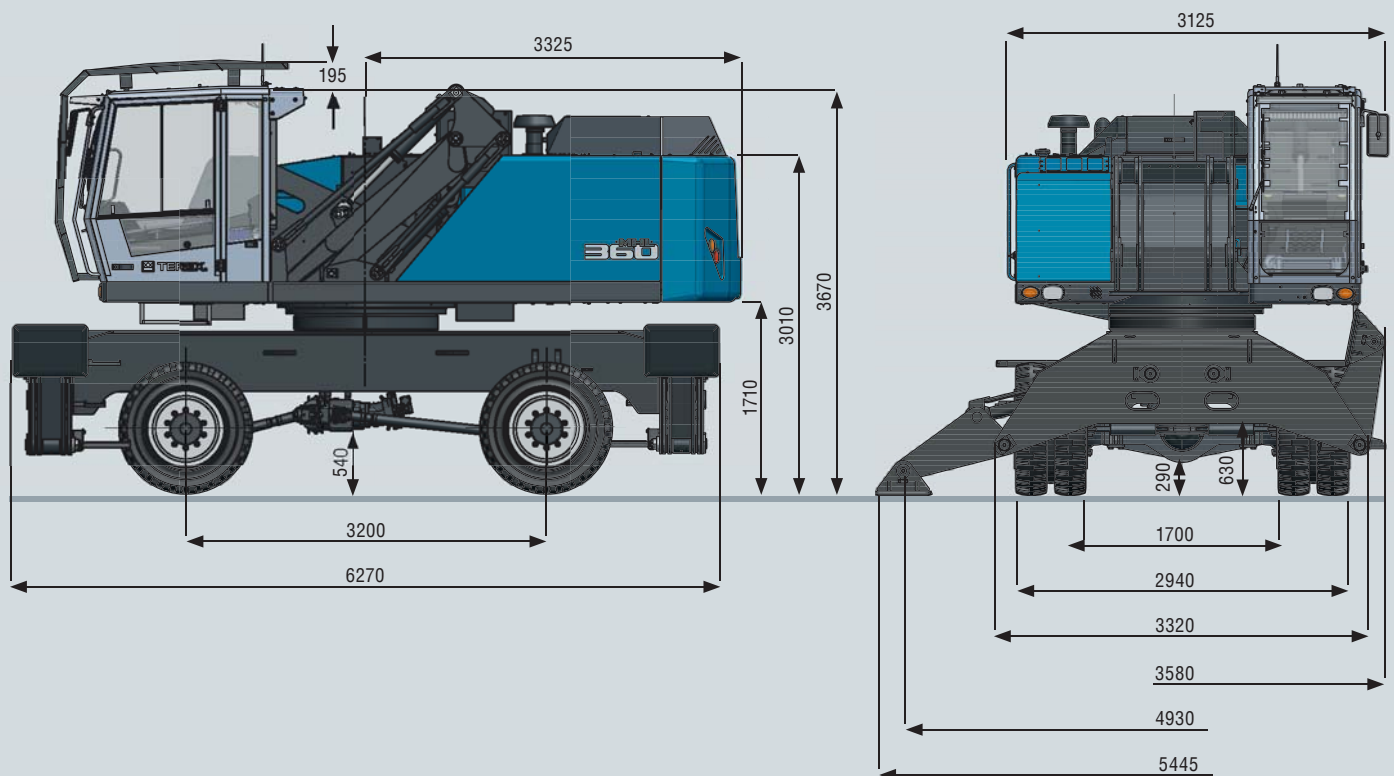


# DIMENSIONS MHL360 F HD

Single solid rubber tyres | All dimensions in mm

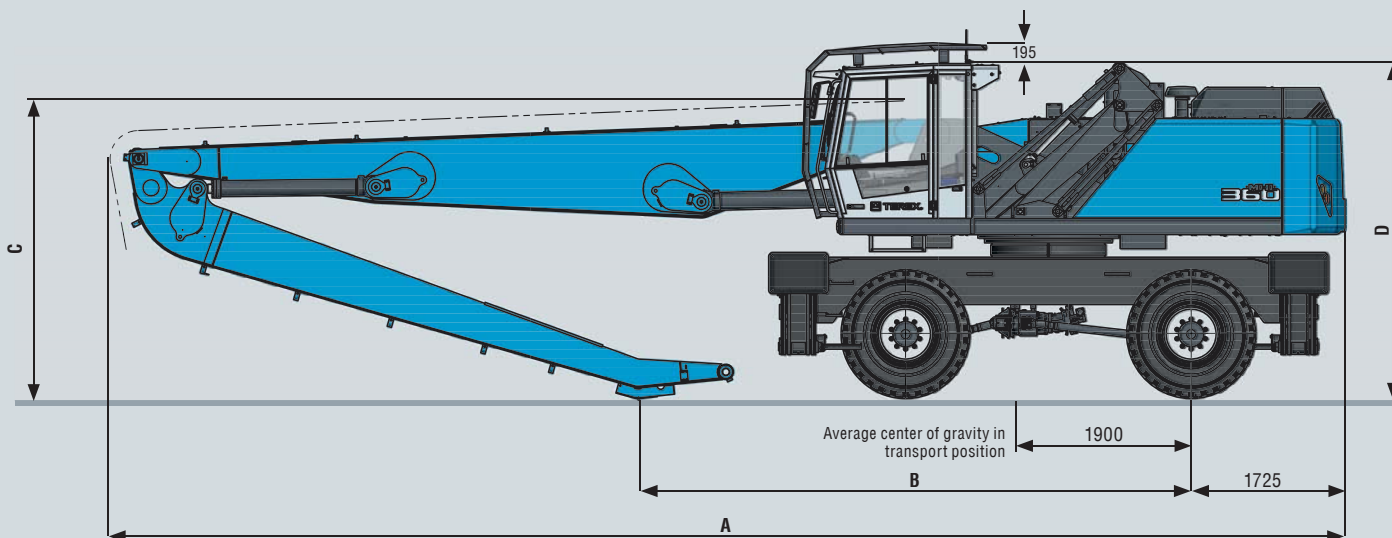


Dual solid rubber tyres | All dimensions in mm



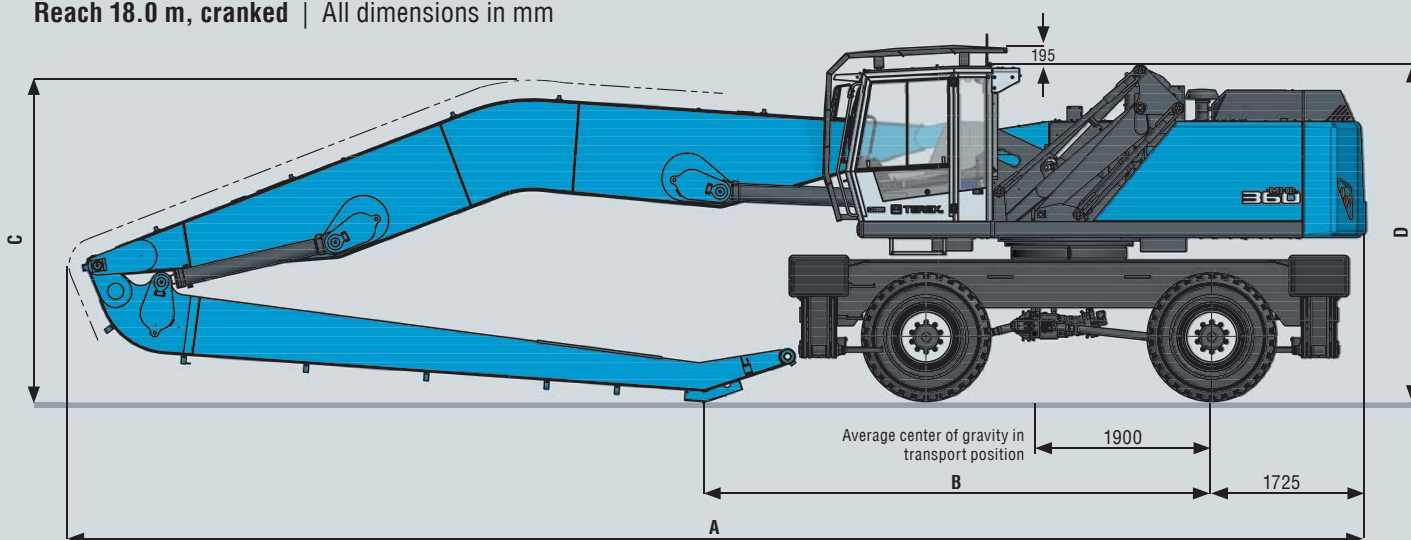
# TRANSPORT DIMENSIONS MHL360 F HD

With dipper stick | All dimensions in mm



Dimensions	SINGLE PNEUMATIC TYRES		DUAL PNEUMATIC TYRES	
	Reach 16.5 m	Reach 18.0 m	Reach 16.5 m	Reach 18.0 m
A	13,840	14,645	13,845	14,640
B	6,195	6,215	6,300	6,330
C	3,340	3,345	3,230	3,475
D	3,800	3,800	3,670	3,670

Reach 18.0 m, cranked | All dimensions in mm



Dimensions	SINGLE PNEUMATIC TYRES	DUAL PNEUMATIC TYRES
	Reach 18.0 m	Reach 18.0 m
A	14,530	14,590
B	5,700	5,820
C	3,605	3,690
D	3,800	3,670

# WORKING RANGES / CARRYING CAPACITY

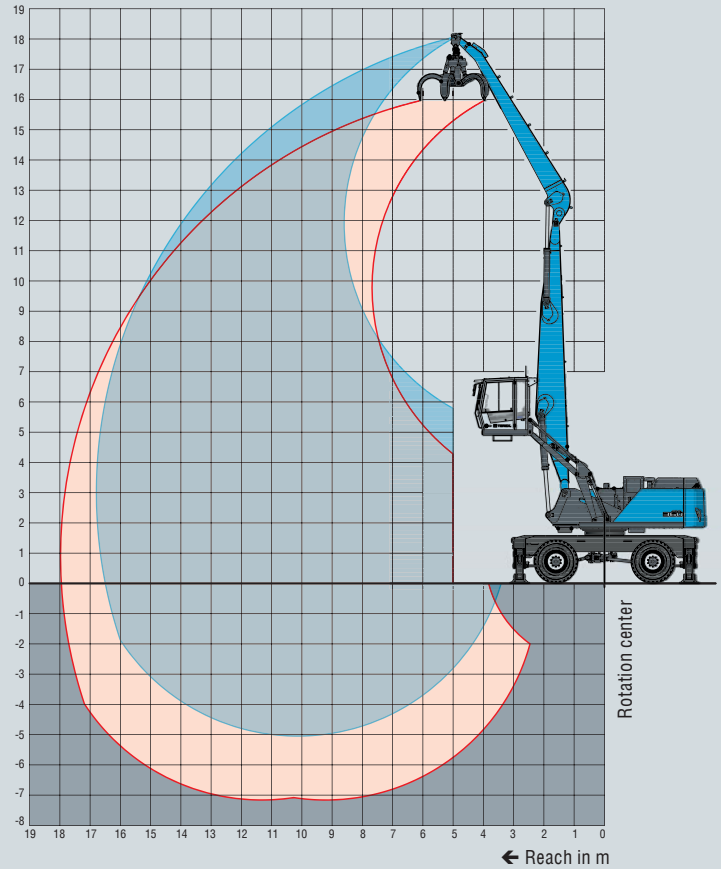
## REACH 16.5 M WITH DIPPER STICK

Loading equipment	Boom 8.9 m
	Dipper stick 7.0 m
	Cactus grab 0.8 m <sup>3</sup> open

## RECOMMENDED ATTACHMENTS

Terex® Fuchs cactus grab 0.6 m <sup>3</sup>	Open or half-closed
Terex® Fuchs cactus grab 0.8 m <sup>3</sup>	Open or half-closed
Terex® Fuchs cactus grab 1.0 m <sup>3</sup>	Open or half-closed
Terex® Fuchs magnetic plate MP 1350	dia = 1350 mm with 30 kW magnet system
Clamshell grab 1.4 m <sup>3</sup>	Density of materials handled up to 1,600 kg/m <sup>3</sup>
Clamshell grab 2.0 m <sup>3</sup>	Density of materials handled up to 800 kg/m <sup>3</sup>
Lift hook	20t

The lift capacity values are stated in metric tons (t). The pump pressure is 360 bar. In accordance with ISO 10567 the lift capacity values represents 75% of the static tipping loads or 87% of the hydraulic lifting force (marked °). On solid and level ground the values apply to a swing range of 360°. The (...) values apply in the longitudinal direction of the undercarriage. The values for "not supported" only apply via the steering axle or the locked oscillating axle. The weights of the attached load hoisting equipment (grab, load hook, etc.) must be deducted from the lift capacity values. The working load of the lifting device must be observed. In accordance with the EN 474-5 for object handling application hose rupture valves on the boom and stick cylinders, an overload warning device and the lift capacity table in the cab are required. For object handling application the machine has to be supported on a level ground.



Height [m]	Undercarriage outrigger	Reach [m]								
		6	7.5	9	10.5	12	13.5	15	16.5	
16.5	not supported		(8,5°)							
	4-point supported		8,5° (8,5°)							
15	not supported			(8,7°)	(6,5°)					
	4-point supported			8,7° (8,7°)	6,5° (6,5°)					
13.5	not supported			(9,0)	(6,9)	(5,3)				
	4-point supported			9,2° (9,2°)	8,2° (8,2°)	6,3° (6,3°)				
12	not supported			(9,0)	(6,9)	(5,4)	(4,3)			
	4-point supported			9,1° (9,1°)	8,1° (8,1°)	7,3° (7,3°)	5,5° (5,5°)			
10.5	not supported			(9,0)	(6,9)	(5,4)	(4,3)			
	4-point supported			9,1° (9,1°)	8,1° (8,1°)	7,3° (7,3°)	6,6° (6,6°)			
9	not supported			(8,8)	(6,8)	(5,4)	(4,3)	(3,5)		
	4-point supported			9,4° (9,4°)	8,3° (8,3°)	7,4° (7,4°)	6,6° (6,6°)	5,9° (5,9°)		
7.5	not supported		(11,4)	(8,5)	(6,6)	(5,2)	(4,2)	(3,5)		
	4-point supported		11,4° (11,4°)	9,7° (9,7°)	8,5° (8,5°)	7,5° (7,5°)	6,7° (6,7°)	5,9° (5,9°)		
6	not supported	(15,4)	(10,8)	(8,1)	(6,3)	(5,0)	(4,1)	(3,4)		
	4-point supported	15,4° (15,4°)	12,2° (12,2°)	10,2° (10,2°)	8,7° (8,7°)	7,6° (7,6°)	6,7° (6,7°)	5,8° (5,9°)		
4.5	not supported	(13,9)	(9,9)	(7,5)	(6,0)	(4,8)	(4,0)	(3,3)	(2,8)	
	4-point supported	17,1° (17,1°)	13,1° (13,1°)	10,6° (10,6°)	9,0° (9,0°)	7,7° (7,7°)	6,7° (6,7°)	5,7° (5,8°)	4,8° (4,8°)	
3	not supported	(12,3)	(9,1)	(7,0)	(5,6)	(4,6)	(3,8)	(3,2)	(2,7)	
	4-point supported	18,3° (18,3°)	13,7° (13,7°)	10,9° (10,9°)	9,1° (9,1°)	7,7° (7,7°)	6,6° (6,6°)	5,6° (5,7°)	4,6° (4,6°)	
1.5	not supported	(11,1°)	(8,4)	(6,6)	(5,3)	(4,4)	(3,7)	(3,1)	(2,7)	
	4-point supported	11,1° (11,1°)	13,8° (13,8°)	11,0° (11,0°)	9,0° (9,0°)	7,6° (7,6°)	6,5° (6,5°)	5,4° (5,4°)	4,2° (4,2°)	
0	not supported	(8,9°)	(7,9)	(6,2)	(5,1)	(4,2)	(3,6)	(3,1)		
	4-point supported	8,9° (8,9°)	13,2° (13,2°)	10,6° (10,6°)	8,7° (8,7°)	7,3° (7,3°)	6,1° (6,1°)	5,0° (5,0°)		
-1.5	not supported	(9,0°)	(7,6)	(6,0)	(4,9)	(4,1)	(3,5)	(3,0)		
	4-point supported	9,0° (9,0°)	12,0° (12,0°)	9,8° (9,8°)	8,1° (8,1°)	6,8° (6,8°)	5,6° (5,6°)	4,3° (4,3°)		
-3	not supported	(9,8°)	(7,6)	(5,9)	(4,8)	(4,1)	(3,5)	(3,1)		
	4-point supported	9,8° (9,8°)	10,3° (10,3°)	8,6° (8,6°)	7,1° (7,1°)	5,9° (5,9°)	4,7° (4,7°)	3,3° (3,3°)		
-4.5	not supported		(7,6)	(5,9)	(4,8)	(4,1)				
	4-point supported		7,9° (7,9°)	6,8° (6,8°)	5,7° (5,7°)	4,6° (4,6°)				
<b>Max. Reach 16.8 m</b>										
3	not supported								(2,7)	
	4-point supported								4,0° (4,0°)	



# WORKING RANGES / CARRYING CAPACITY

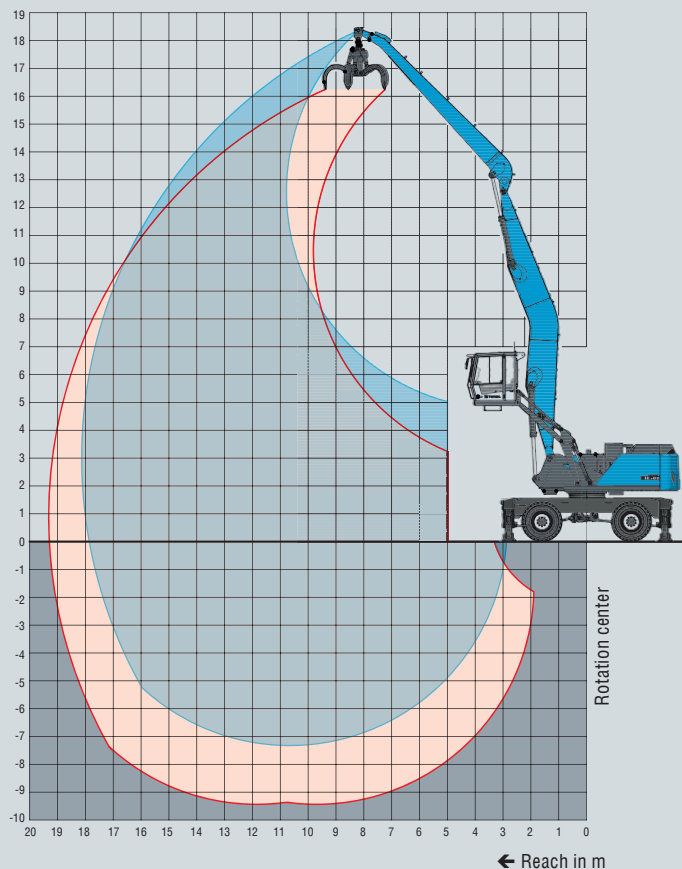
## REACH 18.0 M WITH DIPPER STICK

<b>Loading equipment</b>	Boom 9.7 m Dipper stick 7.8 m Cactus grab 0.8 m <sup>3</sup> open
--------------------------	---

## RECOMMENDED ATTACHMENTS

<b>Terex® Fuchs cactus grab 0.6 m<sup>3</sup></b>	Open or half-closed
<b>Terex® Fuchs cactus grab 0.8 m<sup>3</sup></b>	Open or half-closed
<b>Terex® Fuchs magnetic plate MP 1350</b>	dia = 1350 mm with 30 kW magnet system
<b>Clamshell grab 1.4 m<sup>3</sup></b>	Density of materials handled up to 1,600 kg/m <sup>3</sup>
<b>Clamshell grab 2.0 m<sup>3</sup></b>	Density of materials handled up to 800 kg/m <sup>3</sup>
<b>Lift hook</b>	20 t

The lift capacity values are stated in metric tons (t). The pump pressure is 360 bar. In accordance with ISO 10567 the lift capacity values represents 75% of the static tipping loads or 87% of the hydraulic lifting force (marked °). On solid and level ground the values apply to a swing range of 360°. The (...) values apply in the longitudinal direction of the undercarriage. The values for "not supported" only apply via the steering axle or the locked oscillating axle. The weights of the attached load hoisting equipment (grab, load hook, etc.) must be deducted from the lift capacity values. The working load of the lifting device must be observed. In accordance with the EN 474-5 for object handling application hose rupture valves on the boom and stick cylinders, an overload warning device and the lift capacity table in the cab are required. For object handling application the machine has to be supported on a level ground.



Height [m]	Undercarriage outrigger	Reach [m]								
		6	7.5	9	10.5	12	13.5	15	16.5	18
18	not supported		(8,1°)	(6,1°)						
	4-point supported		8,1° (8,1°)	6,1° (6,1°)						
16.5	not supported			(8,1°)	(6,6°)					
	4-point supported			8,1° (8,1°)	6,6° (6,6°)					
15	not supported				(7,0)	(5,5)				
	4-point supported				7,8° (7,8°)	6,6° (6,6°)				
13.5	not supported				(7,1)	(5,6)	(4,4)			
	4-point supported				7,6° (7,6°)	6,9° (6,9°)	6,2° (6,2°)			
12	not supported				(7,1)	(5,6)	(4,5)	(3,5)		
	4-point supported				7,6° (7,6°)	6,8° (6,8°)	6,2° (6,2°)	5,4° (5,4°)		
10.5	not supported				(7,0)	(5,5)	(4,4)	(3,6)	(2,8)	
	4-point supported				7,7° (7,7°)	6,9° (6,9°)	6,2° (6,2°)	5,6° (5,6°)	3,8° (3,8°)	
9	not supported			(8,9)	(6,9)	(5,4)	(4,3)	(3,5)	(2,9)	
	4-point supported			9,0° (9,0°)	7,9° (7,9°)	7,0° (7,0°)	6,2° (6,2°)	5,6° (5,6°)	5,0° (5,0°)	
7.5	not supported		(11,1°)	(8,5)	(6,6)	(5,2)	(4,2)	(3,4)	(2,8)	
	4-point supported		11,1° (11,1°)	9,3° (9,3°)	8,1° (8,1°)	7,1° (7,1°)	6,3° (6,3°)	5,6° (5,6°)	5,0° (5,0°)	
6	not supported	(13,8°)	(10,8)	(8,0)	(6,2)	(5,0)	(4,1)	(3,3)	(2,8)	(2,3)
	4-point supported	13,8° (13,8°)	11,8° (11,8°)	9,8° (9,8°)	8,3° (8,3°)	7,2° (7,2°)	6,3° (6,3°)	5,6° (5,6°)	4,9° (4,9°)	3,7° (3,7°)
4.5	not supported	(13,7)	(9,8)	(7,4)	(5,8)	(4,7)	(3,9)	(3,2)	(2,7)	(2,2)
	4-point supported	16,6° (16,6°)	12,6° (12,6°)	10,2° (10,2°)	8,5° (8,5°)	7,3° (7,3°)	6,4° (6,4°)	5,6° (5,6°)	4,8° (4,8°)	4,0° (4,0°)
3	not supported	(11,9)	(8,8)	(6,8)	(5,4)	(4,4)	(3,7)	(3,1)	(2,6)	(2,2)
	4-point supported	17,6° (17,6°)	13,1° (13,1°)	10,5° (10,5°)	8,7° (8,7°)	7,4° (7,4°)	6,3° (6,3°)	5,5° (5,5°)	4,7° (4,7°)	3,8° (3,8°)
1.5	not supported	(8,4°)	(8,0)	(6,3)	(5,1)	(4,2)	(3,5)	(3,0)	(2,5)	(2,2)
	4-point supported	8,4° (8,4°)	13,2° (13,2°)	10,5° (10,5°)	8,6° (8,6°)	7,3° (7,3°)	6,2° (6,2°)	5,3° (5,3°)	4,5° (4,5°)	3,5° (3,5°)
0	not supported	(6,8°)	(7,4)	(5,9)	(4,8)	(4,0)	(3,3)	(2,8)	(2,5)	(2,1)
	4-point supported	6,8° (6,8°)	12,6° (12,6°)	10,2° (10,2°)	8,4° (8,4°)	7,0° (7,0°)	6,0° (6,0°)	5,1° (5,1°)	4,2° (4,2°)	3,0° (3,0°)
-1.5	not supported	(7,0°)	(7,1)	(5,6)	(4,6)	(3,8)	(3,2)	(2,8)	(2,4)	(2,1)
	4-point supported	7,0° (7,0°)	11,6° (11,6°)	9,5° (9,5°)	7,9° (7,9°)	6,6° (6,6°)	5,6° (5,6°)	4,6° (4,6°)	3,7° (3,7°)	(2,1)
-3	not supported	(7,6°)	(6,9)	(5,4)	(4,4)	(3,7)	(3,2)	(2,7)	(2,4)	(2,1)
	4-point supported	7,6° (7,6°)	10,0° (10,0°)	8,4° (8,4°)	7,1° (7,1°)	5,9° (5,9°)	4,9° (4,9°)	4,0° (4,0°)	2,9° (2,9°)	(2,1)
-4.5	not supported		(7,0)	(5,4)	(4,4)	(3,7)	(3,2)	(2,8)	(2,4)	(2,1)
	4-point supported		8,1° (8,1°)	7,0° (7,0°)	5,9° (5,9°)	5,0° (5,0°)	4,0° (4,0°)	3,0° (3,0°)	(2,4)	(2,1)
										<b>Max. Reach 18.3 m</b>
3	not supported									(2,1)
	4-point supported									3,6° (3,6°)

# WORKING RANGES / CARRYING CAPACITY

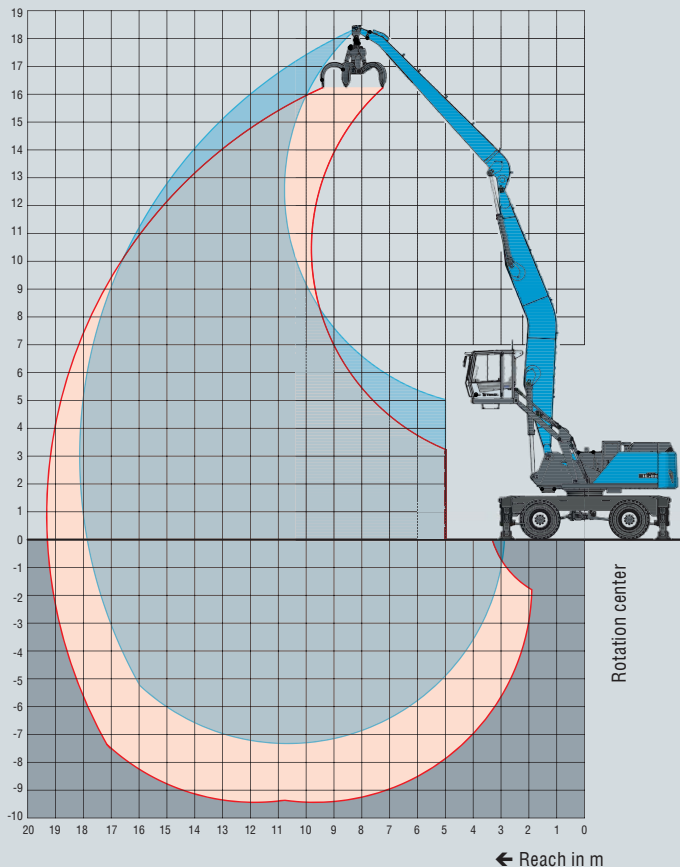
## REACH 18.0 M CRANKED

<b>Loading equipment</b>	Boom 9.7 m, cranked Dipper stick 7.8 m Cactus grab 0.8 m <sup>3</sup> open
--------------------------	--

## RECOMMENDED ATTACHMENTS







<b>Terex® Fuchs cactus grab 0.6 m<sup>3</sup></b>	Open or half-closed
<b>Terex® Fuchs cactus grab 0.8 m<sup>3</sup></b>	Open or half-closed
<b>Terex® Fuchs magnetic plate MP 1350</b>	dia = 1350 mm with 30 kW magnet system
<b>Clamshell grab 1.4 m<sup>3</sup></b>	Density of materials handled up to 1,600 kg/m <sup>3</sup>
<b>Clamshell grab 2.0 m<sup>3</sup></b>	Density of materials handled up to 800 kg/m <sup>3</sup>
<b>Lift hook</b>	20 t

The lift capacity values are stated in metric tons (t). The pump pressure is 360 bar. In accordance with ISO 10567 the lift capacity values represents 75% of the static tipping loads or 87% of the hydraulic lifting force (marked °). On solid and level ground the values apply to a swing range of 360°. The (...) values apply in the longitudinal direction of the undercarriage. The values for "not supported" only apply via the steering axle or the locked oscillating axle. The weights of the attached load hoisting equipment (grab, load hook, etc.) must be deducted from the lift capacity values. The working load of the lifting device must be observed. In accordance with the EN 474-5 for object handling application hose rupture valves on the boom and stick cylinders, an overload warning device and the lift capacity table in the cab are required. For object handling application the machine has to be supported on a level ground.






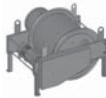

Height [m]	Undercarriage outrigger	Reach [m]										
		4.5	6	7.5	9	10.5	12	13.5	15	16.5	18	
16.5	not supported					(5,8°)						
	4-point supported					5,8° (5,8°)						
15	not supported					(6,4°)	(5,4)					
	4-point supported					6,4° (6,4°)	5,8° (5,8°)					
13.5	not supported						(5,6)	(4,3)				
	4-point supported						5,8° (5,8°)	5,4° (5,4°)				
12	not supported						(5,6)	(4,4)	(3,5)			
	4-point supported						5,7° (5,7°)	5,3° (5,3°)	4,7° (4,7°)			
10.5	not supported						(5,5)	(4,4)	(3,5)			
	4-point supported						5,8° (5,8°)	5,3° (5,3°)	4,9° (4,9°)			
9	not supported					(6,5°)	(5,4)	(4,3)	(3,5)	(2,8)		
	4-point supported					6,5° (6,5°)	5,9° (5,9°)	5,4° (5,4°)	5,0° (5,0°)	4,6° (4,6°)		
7.5	not supported				(7,7°)	(6,6)	(5,2)	(4,2)	(3,4)	(2,7)		
	4-point supported				7,7° (7,7°)	6,8° (6,8°)	6,1° (6,1°)	5,5° (5,5°)	5,0° (5,0°)	4,6° (4,6°)		
6	not supported			(9,9°)	(8,0)	(6,2)	(4,9)	(4,0)	(3,3)	(2,7)		
	4-point supported			9,9° (9,9°)	8,3° (8,3°)	7,1° (7,1°)	6,3° (6,3°)	5,6° (5,6°)	5,1° (5,1°)	4,6° (4,6°)		
4.5	not supported		(13,6)	(9,7)	(7,4)	(5,8)	(4,6)	(3,8)	(3,1)	(2,6)	(2,2)	
	4-point supported		14,1° (14,1°)	10,8° (10,8°)	8,8° (8,8°)	7,5° (7,5°)	6,5° (6,5°)	5,8° (5,8°)	5,1° (5,1°)	4,6° (4,6°)	3,7° (3,7°)	
3	not supported	(5,5°)	(11,7)	(8,7)	(6,7)	(5,3)	(4,3)	(3,6)	(3,0)	(2,5)	(2,1)	
	4-point supported	5,5° (5,5°)	15,7° (15,7°)	11,7° (11,7°)	9,3° (9,3°)	7,8° (7,8°)	6,7° (6,7°)	5,9° (5,9°)	5,2° (5,2°)	4,6° (4,6°)	4,0° (4,0°)	
1.5	not supported	(3,6°)	(9,7°)	(7,8)	(6,1)	(5,0)	(4,1)	(3,4)	(2,9)	(2,4)	(2,1)	
	4-point supported	3,6° (3,6°)	9,7° (9,7°)	12,2° (12,2°)	9,7° (9,7°)	8,0° (8,0°)	6,8° (6,8°)	5,9° (5,9°)	5,2° (5,2°)	4,5° (4,5°)	3,8° (3,8°)	
0	not supported	(4,0°)	(7,7°)	(7,2)	(5,7)	(4,6)	(3,8)	(3,2)	(2,7)	(2,4)	(2,1)	
	4-point supported	4,0° (4,0°)	7,7° (7,7°)	12,3° (12,3°)	9,8° (9,8°)	8,0° (8,0°)	6,8° (6,8°)	5,9° (5,9°)	5,1° (5,1°)	4,4° (4,4°)		
-1.5	not supported	(4,9°)	(7,6°)	(6,8)	(5,4)	(4,4)	(3,7)	(3,1)	(2,7)	(2,3)	(2,1)	
	4-point supported	4,9° (4,9°)	7,6° (7,6°)	11,9° (11,9°)	9,5° (9,5°)	7,9° (7,9°)	6,7° (6,7°)	5,7° (5,7°)	4,9° (4,9°)	4,1° (4,1°)		
-3	not supported	(5,8°)	(8,0°)	(6,7)	(5,2)	(4,3)	(3,6)	(3,0)	(2,6)	(2,3)	(2,1)	
	4-point supported	5,8° (5,8°)	8,0° (8,0°)	11,1° (11,1°)	9,0° (9,0°)	7,5° (7,5°)	6,3° (6,3°)	5,4° (5,4°)	4,5° (4,5°)	3,6° (3,6°)		
-4.5	not supported		(8,7°)	(6,7)	(5,2)	(4,2)	(3,5)	(3,0)	(2,6)	(2,3)	(2,1)	
	4-point supported		8,7° (8,7°)	9,9° (9,9°)	8,2° (8,2°)	6,9° (6,9°)	5,8° (5,8°)	4,8° (4,8°)	3,9° (3,9°)			
-6	not supported			(6,8)	(5,3)	(4,3)	(3,6)	(3,1)	(2,7)	(2,4)	(2,1)	
	4-point supported			8,3° (8,3°)	7,0° (7,0°)	5,9° (5,9°)	4,9° (4,9°)	4,0° (4,0°)	3,0° (3,0°)			
												<b>Max. Reach 18.1 m</b>
3	not supported											(2,1)
	4-point supported											3,5° (3,5°)







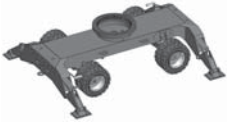



# MODULAR SYSTEM

Attachments		Work equipment	
<p>furthermore</p> <p>Timber grab</p> <p>Scrap shears</p> <p>Magnetic plate</p> <p>Load hook</p>	<p><b>Cactus grab</b></p> 	<p><b>Work equipment straight</b></p> 	
	<p><b>Sorting grapple</b></p> 	<p><b>Work equipment with multipurpose stick</b></p> 	
	<p><b>Clamshell grab</b></p> 	<p><b>Work equipment cranked</b></p> 	

## Uppercarriage

<p><b>Cab system hydraulically adjustable</b></p> <p>Viewing height: max. 6.1 m</p> 		<p><b>Cab system vertically and horizontally adjustable</b></p> <p>Viewing height: max. 6.1 m and 2.2 m</p> 
---	--	---

Engine		Options		
<p><b>Diesel engine</b></p> 	<p><b>Electric motor</b></p> 	<p><b>Cable reel</b></p> 	<p><b>Cable drum</b></p> 	<p><b>Power Pack</b></p> 

Undercarriage				
<p><b>Pylon</b></p> <p>up to max. 0.80 m</p> 	<p><b>Pylon</b></p> <p>up to max. 1.40 m</p> 	<p><b>Pylon</b></p> <p>up to max. 0.80 m</p> 	<p><b>Pylon</b></p> <p>up to max. 3.70 m</p> 	<p><b>Pylon</b></p> <p>up to max. 3.70 m</p> 
 <p><b>Mobile: Standard-Undercarriage</b></p>	 <p><b>Mobile special: extended undercarriage</b></p>	 <p><b>Crawler: Standard-Undercarriage</b></p>	 <p><b>Crawler: XL-Undercarriage</b></p>	 <p><b>Pedestal undercarriage</b></p>

# GET A HANDLE ON FLEET MANAGEMENT

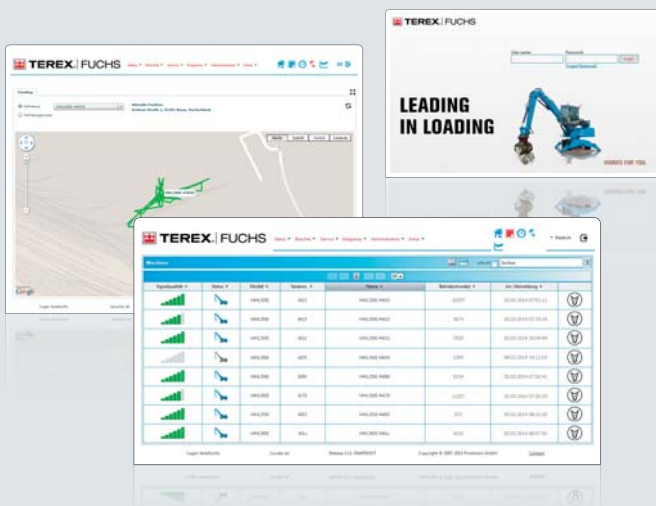
## TEREX® FUCHS TELEMATICS SYSTEM: RECOGNIZE AND OPTIMIZE POTENTIAL

The Terex® Fuchs Telematics system: know exactly how and where everything is running. The Terex® Fuchs Telematics system offers a modern solution to help you analyze and optimize the efficiency of your machines. The Terex® Fuchs Telematics system records and communicates valuable information on the operating status of each individual machine. Where are the machines? How are they working? Is a service check pending? Take advantage of this advanced software and get a handle on your fleet management with the tool that connects for you.



### ALL-IN-ONE MACHINE MANAGEMENT

### EVERYTHING AT A GLANCE: OPERATING DATA, MACHINE STATUS, GPS DATA



#### Record, display, and analyse data: high efficiency through precise information

- ⊕ Available online anywhere and at any time\*: comprehensive information on the GPS location, start and stop times, fuel consumption, operating hours, maintenance status, and much more.
- ⊕ User-friendly interface: displays information clearly for at a glance metrics and diagnostics. Take action before damage occurs: predetermined maintenance intervals are signaled and error messages are displayed in plain text messages.
- ⊕ The Terex® Fuchs Telematics system is optionally available or can be retrofitted into existing machines to help control your operating costs and keep your machines in top shape.

\* Internet connection required

[www.terex-fuchs.com](http://www.terex-fuchs.com)

June 2015. Product specifications and prices are subject to change without notice or obligation. The photographs and/or drawings in this document are for illustrative purposes only. Refer to the appropriate Operator's Manual for instructions on the proper use of this equipment. Failure to follow the appropriate Operator's Manual when using our equipment or to otherwise act irresponsibly may result in serious injury or death. The only warranty applicable to our equipment is the standard written warranty applicable to the particular product and sale and Terex makes no other warranty, express or implied. © Terex Corporation 2015 - Terex, the Terex Crown design, Fuchs and Works For You are trademarks of Terex Corporation or its subsidiaries.

