

R134

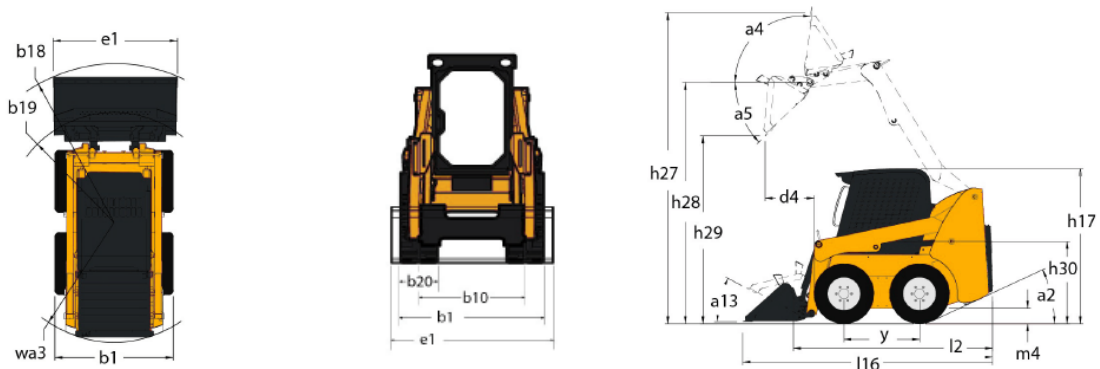
SKID LOADERS



GEHL®

Capacities		Métrico	Imperial
Rated Operating Capacity		612 kg	1349 lb
Unladen weight		2200 kg	4850 lb
Tipping capacity		1224 kg	2698 lb
Weight and dimensions			
Overall Operating Height - Fully Raised	h27	3584 mm	141 in
Height to Hinge Pin - Fully Raised	h28	2794 mm	110 in
Overall Height to top of ROPS	h17	1826 mm	72 in
Dump angle at full height	a5	42 °	42 °
Dump height	h29	2197 mm	86 in
Overall length with bucket	l16	2952 mm	116 in
Dump reach - Full height	r6	528 mm	21 in
Rollback at ground	a13	29 °	29 °
Rollback Angle at Full Height	a4	99 °	99 °
Seat to ground height	h30	853 mm	34 in
Wheelbase	y	923 mm	36 in
Overall width less bucket	b1	1346 mm	53 in
Bucket Width	e1	1562 mm	61 in
Ground clearance	m4	211 mm	8 in
Overall length - Less Bucket	l2	2314 mm	91 in
Clearance Radius - Front with Bucket	b18	1758 mm	69 in
Clearance Circle - Front without Bucket	b19	1102 mm	43 in
Clearance Circle - Rear	wa1	1484 mm	58 in
Performances			
Travel speed (unladen)		10.70 km/h	7 mi/h
Wheels			
Transmission type		Hydrostatic	Hydrostatic
Standard tires		10.00 x 16.5 PR Heavy Duty	10.00 x 16.5 PR Heavy Duty
Engine			
Engine brand		Yanmar	Yanmar
Engine model		4TNV88	4TNV88
Engine norm		Stage IIIA	Stage IIIA
Gross Power (kW)		48.80 Hp	48.80 Hp
Max. torque / Engine rotation		140 Nm / 1600 rpm	103 ft/lbs / 1600 rpm
Number of cylinders		4	4
Battery voltage		12 V	12 V
Accessory plug		12 V	12 V
Alternator - Ampere		55 A	55 A
Starter (kW)		3 kW	3 kW
Hydraulics			
Standard flow - Auxiliary hydraulics		63.40 l/min	17 US gpm
Auxiliary Hydraulic Pressure		190 bar	2756 PSI
Tank capacities			
Fuel tank		47 l	12 US gal
Reservoir Capacity Hydraulics		30 l	8 US gal
Displacement		2.20 l	0.58 US gal
LH Chain case		8.30 l	2 US gal
RH Chain case		8.30 l	2 US gal

R134 - Diagrama dimensional





Av. Blas Parera 5894, Santa Fe Capital
Provincia de Santa Fe - Argentina

Tel: +54 (9) 342 4881 958

info@vialfe.com.ar

www.vialfe.com.ar

GEHL®

Siège Social

P.O. Box 179 - One Gehl Way - West Bend, WI, USA 53095

Tel: (262) 334-9461 - Fax: (262) 338-7517

www.gehl.com



This brochure describes versions and configuration options for Gehl products which may be fitted with different equipment. The equipment described in this brochure may be standard, optional or not available depending on version. Gehl reserves the right to change the specifications shown and described at any time and without prior warning. The manufacturer is not liable for the specifications given. For more information, contact your Gehl dealer. Non-contractual document. Product descriptions may differ from actual products. List of specifications is not comprehensive. The logos and visual identity of the company are the property of Gehl and may not be used without authorization. All rights reserved. The photos and diagrams contained in this brochure are provided for information only.

MANITOU EQUIPMENT AMERICAS, LLC - Limited company with board of directors - Share capital: 39,668,399 euros - 857 802 508 RCS West Bend