



**RATED OPERATING CAPACITY - 2600 LBS | 1179 KG**



# SKID STEER LOADER R260S

## SPECIFICATIONS OPERATING SPECIFICATIONS

Loader Arms	Radial
Operating Weight	7425 lbs   3367 kg
Shipping Weight	6610 lbs   2998 kg
Tipping Load	5200 lbs   2358 kg
Rated Operating Capacity	2600 lbs   1179 kg
Maximum Travel Speed	8.2 mph   13.1 km/h
Maximum Travel Speed (with optional 2 speed transmission)	11 mph   17.7 km/h
Height to Bucket Pin	125 in   3175 mm
Dump Height at Bucket Discharge	100 in   2540 mm
Dump Reach at Bucket Discharge	25 in   635 mm
Max Dump Angle at Full Height	34°
Bucket Breakout Force	5845 lbs   2651 kg
Arm Lifting Force	7100 lbs   3220 kg
Rear Angle of Departure	24°
Bucket Roll Back at Ground Level	30°
Ground Clearance	
Unloaded	10.5 in   267 mm
Loaded	10 in   254 mm
Overall Length with Bucket	145.5 in   3696 mm

## ENGINE

Type	Diesel, 4-Cylinder, Turbocharged
Model	Deutz TD2.9L4
Displacement	177 in <sup>3</sup>   2.9 L
Gross Horsepower @ 2600 rpm	74 hp   55 Kw
Torque, Peak @ 1800 rpm	192 ft-lb   260 Nm
Cooling System	Engine-Driven Fan and Coolant/Anti-Freeze Filled Radiator
Intake Air Cleaner	Dual Stage
Emissions Controls	Meets All U.S. EPA Tier 4 Final Standards

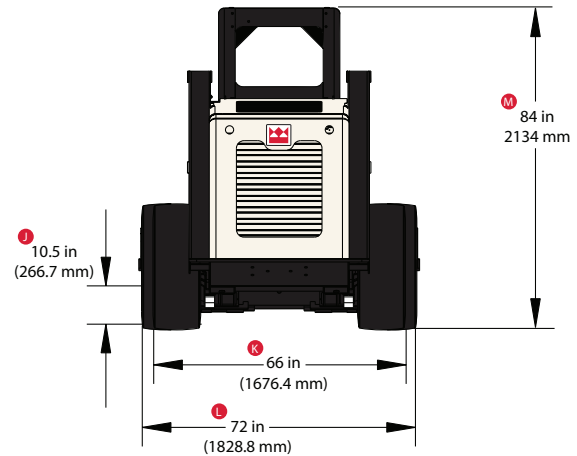
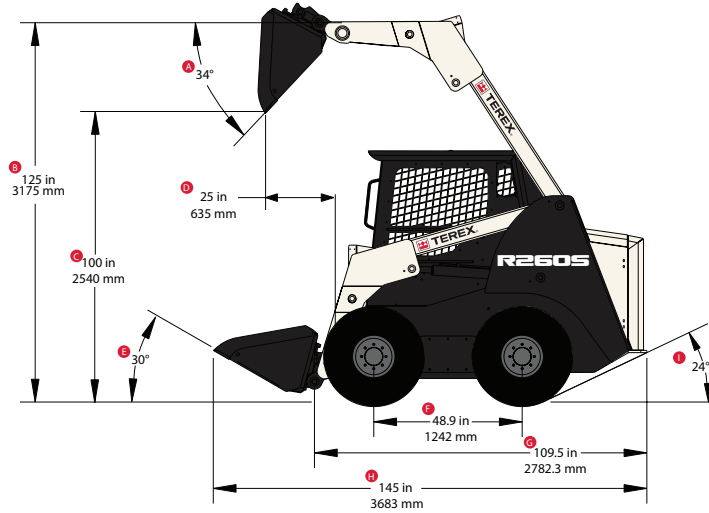
## DRIVE TRAIN

Drive System	Hydrostatic
Chain Case	Bow Tie Drive System
Chain Size	100 ANSI Chain
Wheel Size	12x16.5
Outside Tire Width	72 in   1829 mm
Wheel Base	49 in   1245 mm

## SERVICE CAPACITIES

Fuel Tank	28 gal   106 L
Hydraulic Tank	10 gal   38 L
Engine Oil (including filter)	9 quarts   8.52 L
Engine Coolant/Antifreeze	5 gal   19 L

## DIMENSIONS



## MEASUREMENTS

A	Dump Angle
B	Height to Hinge Pin
C	Height to Bucket Discharge
D	Reach at Full Height
E	Bucket Rollback at Ground Level
F	Wheel Base
G	Overall Length To Loader Pin
H	Overall Length with Bucket
I	Rear Angle of Departure
J	Unloaded Ground Clearance [ 10 in (254 mm) Loaded]
K	Width Between Tires with Rims Reversed
L	Outside Tire Width
M	Overall Height to Top of ROPS

# WORKS FOR YOU.™





**RATED OPERATING CAPACITY - 2600 LBS | 1179 KG**

# SKID STEER LOADER R260S

## AUXILIARY HYDRAULIC SYSTEM

System Pressure, maximum	3335 psi   230 bar
Controls	Pilot Hydraulic Joystick
Couplers	5/8"   16 mm Flat Faced
Auxiliary Pump Flow	21.5 gpm   81.39 Lpm

## ELECTRICAL SYSTEM

Normal Charge	12V
Battery	800 CCA
Charging System	95 Amp Alternator
Outlets	1-12V Port Inside Operator Station

## OPERATOR STATION

Seat: Standard seat with an optional adjustable suspension seat available.	
Loader Control: Right-hand pilot hydraulic joystick controls loader lift/tilt, with variable control of auxiliary hydraulics.	
Drive Control: Left-hand pilot hydraulic joystick controls machine speed and direction.	
Engine speed control	Hand Throttle
Multi-Function Display / Indicators	Fuel
	Tachometer
	Engine Temperature
	Hour Meter
	Battery
	Two-Speed
	Hydraulic Temperature
	Water Temperature
	Engine Oil Pressure
	Engine Hours
	Trip Hours
	Multiple Languages
	ROPS/FOPS
Illumination	2 Forward Facing Lights 2 Rear Facing Lights
Back up alarm	
Horn	
Rear Window	

## OPTIONAL ATTACHMENTS

Auger Drive And Bits	Grapple Bucket
Backhoe	Pallet Forks
Broom, Rotary	Power Box Rake
Bucket, General Purpose	Snow Blade
Bucket, Light Material	Snow Blower
Bucket, Multi-Purpose	Stump Grinder
Brush Cutter, Rotary	Trencher
Dozer Blade	Vibratory Roller
Eliminator Rake	Foundry Bucket
*Additional attachment available upon request	

## MACHINE OPTIONS

Seat belt, 3-inch   76 mm wide	Cab enclosure with heater, wiper
Beacon, rotating	Front door, polycarbonate
Mechanical suspension seat	Cab enclosure with wiper
Air suspension seat	Windows, side, sliding
Two speed - 11 mph   17.7 kph top speed	Assy floatation tire/wheel 31.0X15.5-16.5 8 HD2000 II TL (set of 4)
Radio, AM-FM-MP3-Weather band, speakers	Attachment control kit - 8 pin electrical connector
High Flow	Ride Control
Bucket Position Options	
Engine block heater: recommended for the applications $\leq 32^{\circ}$ F/0 $^{\circ}$ C	

**Terex Construction**

8800 Rostin Road  
Southaven, MS 38671 USA  
Tel +1 (888) 90-TEREX  
www.terex.com/construction

**Distributed By:**

**www.terex.com/construction**

Effective Date: September 2014. Rated Operating Capacity and Tipping Load specifications measured with foundry bucket. Product specifications and prices are subject to change without notice or obligation. The photographs and/or drawings in this document are for illustrative purposes only. Refer to the appropriate Operator's Manual for instructions on the proper use of this equipment. Failure to follow the appropriate Operator's Manual when using our equipment or to otherwise act irresponsibly may result in serious injury or death. The only warranty applicable to our equipment is the standard written warranty applicable to the particular product and sale and Terex makes no other warranty, express or implied. © 2014 Terex Construction. Terex, the Terex Crown design and Works For You are trademarks of Terex Corporation or its subsidiaries.

